

**Product No: 3GBA312230-ADM**

**ABB IE3 CAST IRON MOTOR 4P 132KW 400VD FOOT MOUNT B3  
IP66 3GBA312230-ADM**



**General Information**

Brand	ABB
Product Type	General Performance Motors

**Technical Attributes**

Rated Power (kW)	132
Rated Voltage (V)	690Y/415D

**Protection & Standards**

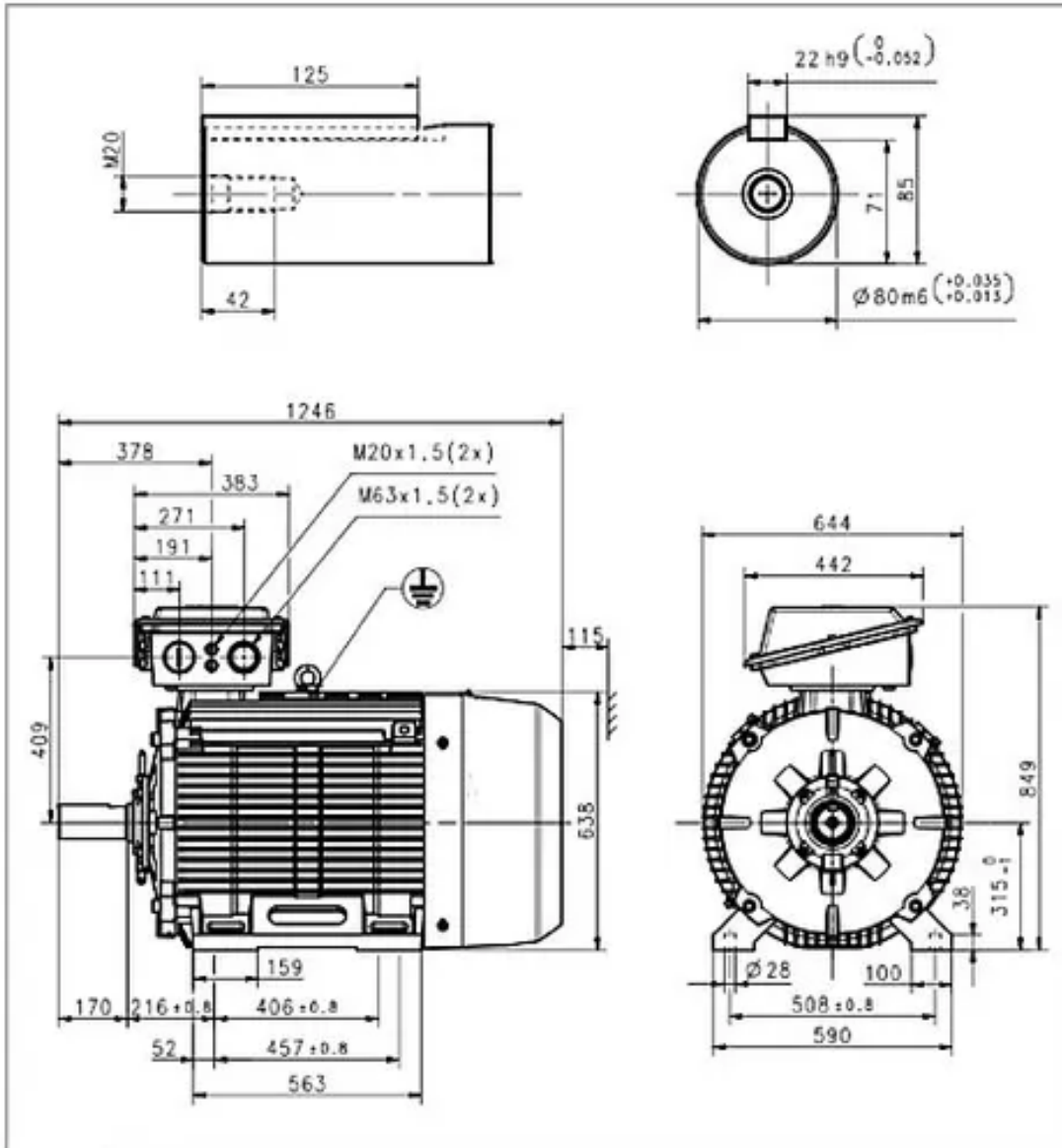
Degree of Protection	IP66
----------------------	------

**Resources**

Product catalogue (Flipbook)	<a href="#">Download from here</a>
------------------------------	------------------------------------



## TECHNICAL DRAWING



Additional information:

<b>Dimension Print</b>	Motor Type: M2BA/BAX 315SM_4-8 B3 V5 V6 B6 B7 B8.	Document No: 3GZC500031-147 D 13 BA 315 A
	Description: STANDARD SQUIRREL CAGE MOTOR	
Unit: ABB Ltd., Motors and Generators	Issued by: David Wang	Replaces:
Date: 2020-07-21	Approved by: Adam Wang	Replaced by:
<b>ABB Ltd.</b>	Customer Reference:	<b>ABB</b>