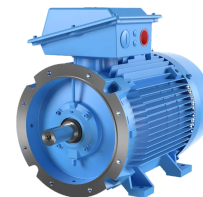


## Product No: 3GBA312220-HDM

**ABB IE3 CAST IRON MOTOR 4P 110KW 400VD FOOT /BIG FLANGE MOUNT B35 IP66 3GBA312220-HDM**



### General Information

Brand	ABB
Product Type	General Performance Motors

### Technical Attributes

Rated Power (kW)	110
Rated Voltage (V)	690Y/415D

### Protection & Standards

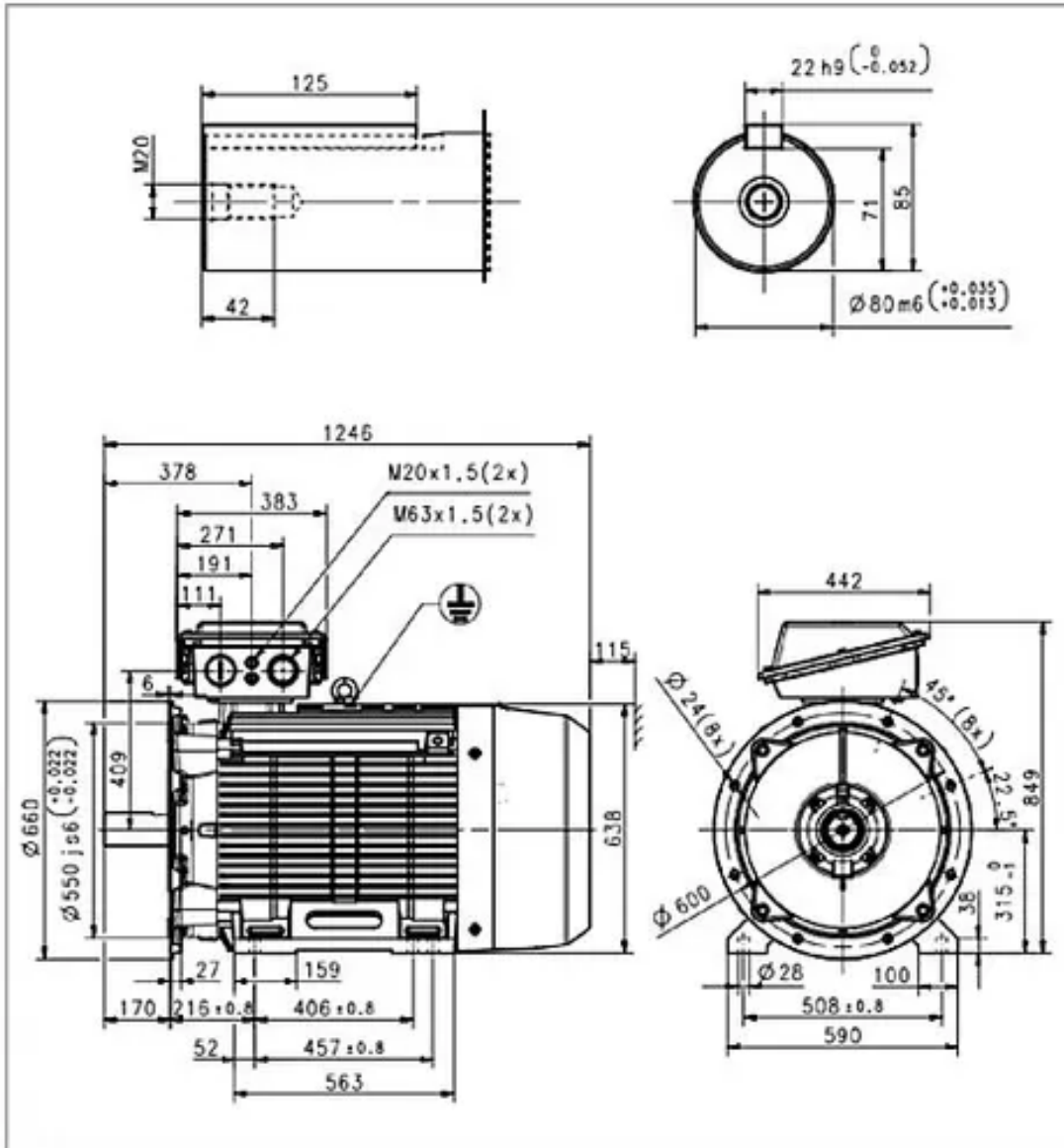
Degree of Protection	IP66
----------------------	------

### Resources

Product catalogue (Flipbook)	<a href="#">Download from here</a>
------------------------------	------------------------------------



## TECHNICAL DRAWING



Additional information:

<b>Dimension Print</b>	Motor Type: M2BA/BAX 315SM_4-8 B35 V15 V36.	Document No: 3GZC500031-158 D 13 BA 315 A
	Description: STANDARD SQUIRREL CAGE MOTOR	
Unit: ABB Ltd., Motors and Generators	Issued by: David Wang	Replaces:
Date: 2020-07-21	Approved by: Adam Zhu	Replaced by:
<b>ABB Ltd.</b>	Customer Reference:	<b>ABB</b>