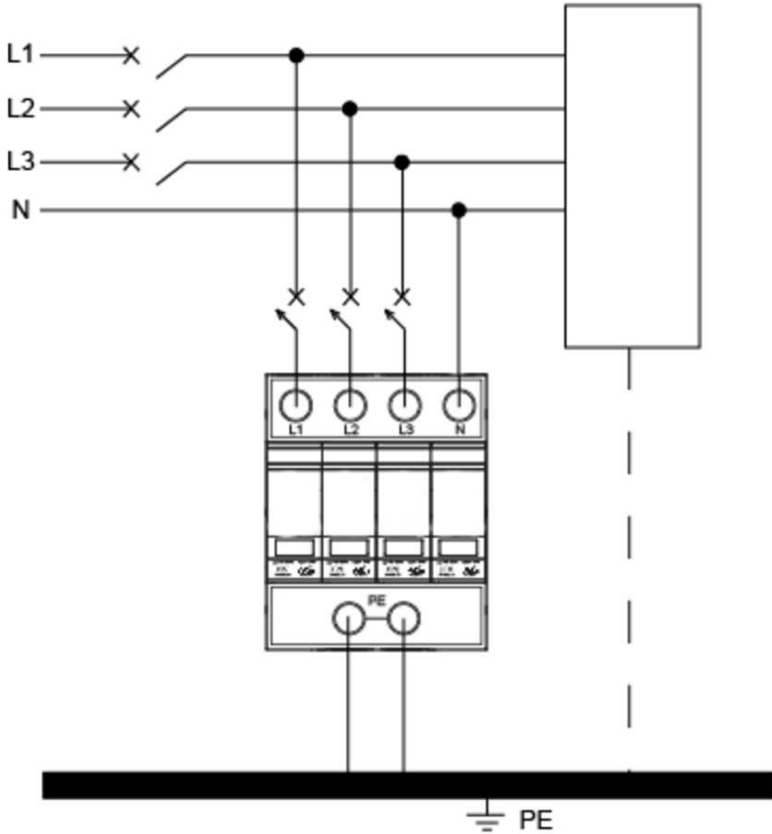


Install Manual

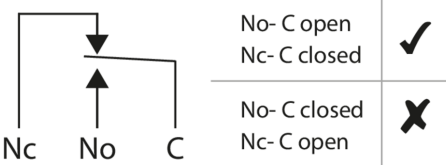
# NSP3-40-320-N



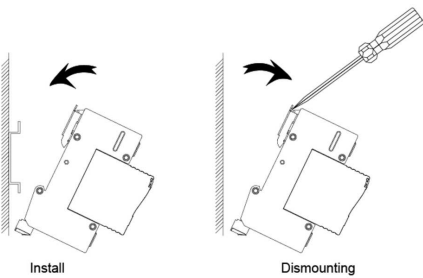
## Install



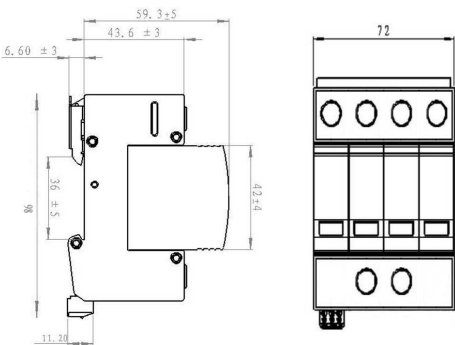
## Alarm



## Mounting



## Dimensions



### Electrical Specifications

Connection type		Shunt
Modes of protection		L-N, N-PE
Number of ports		1
Location		Indoor
Nominal voltage	$U_0$	230VAC
Short circuit withstand level	$I_{SSCR}$	25kA
Maximum backup fuse		125A
Recommended SCB		SCB1-3-80

### Mechanical Specifications

Minimum operating temperature		-40°C
Maximum operating temperature		80°C
Mounting method		TS35 DIN Rail
Environmental rating		IP20
Terminal capacity - power		35mm <sup>2</sup>
Terminal capacity - alarms		1.5mm <sup>2</sup>