

Product No: CRM-91H

ELKO MULTIFUNCTION TIME RELAY 12-240V AC/DC 1C/O CONTACTS CRM-91H

FEATURES

- Easily adjustable function and time-range by rotary switches
- 10 functions, 10 time ranges
- 5 time functions controlled by supply voltage.
- 4 time functions controlled by control input.
- 1 function of latching relay.
- 1-Module, DIN rail mounting



General Information

Brand	ELKO
Product Type	Time Relay

Technical Attributes

Contacts	1CO
Control Terminals	A1-S
Load Between S-A2	Yes
Maximum Power Dissipation (W)	1.2
No. of Functions	10
Output Contacts	1 x CO/ SPDT 16A
Overvoltage Category	III
Rated Current (A)	16
Rated Frequency (Hz)	50/60
Switching Voltage (V)	250 AC/24 DC
Time Setting	Rotary switch, Potentiometer
Timing Range	0.1s - 10 days (divided into 10 ranges)
Universal Supply Voltage AC/DC (V)	12-240

Physical Attributes

LED Colour	Supply - Green, Output - Red
------------	------------------------------

No. of Modules - Width 17.5 mm	1
Operational Temperature Range (°C)	-20 to +55
Storage Temperature (°C)	-30 to +70

Dimensions

Dimensions (mm)	17.6W x 90H x 64D
Weight (g)	0.62

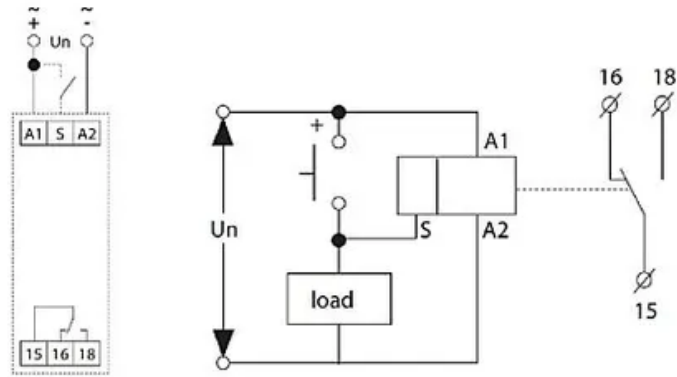
Protection & Standards

Degree of Protection	IP40 (Front Panel), IP20 (Terminals)
Pollution Degree	2
Standards and Approvals	EN 61812-1

Resources

Product catalogue (Flipbook)	Download from here
------------------------------	------------------------------------

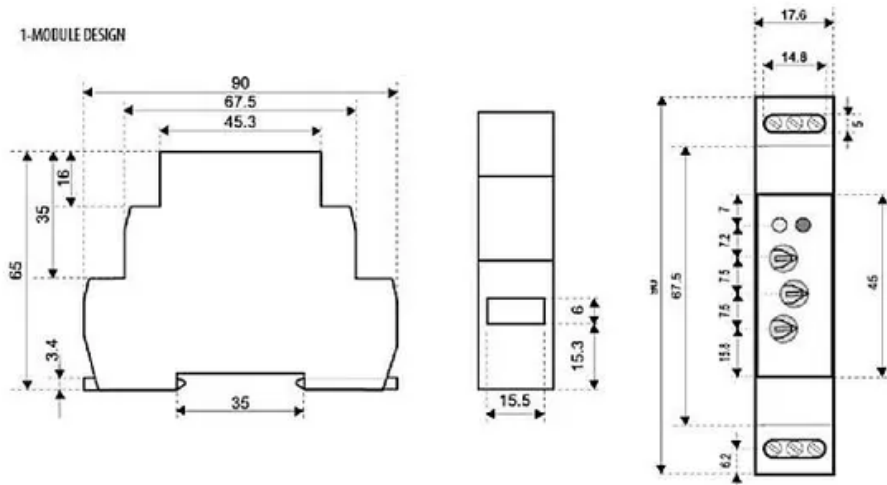
TECHNICAL DRAWING



Connect control input to load

All Dimensions are in "mm"

DIMENSIONS



All Dimensions are in "mm"