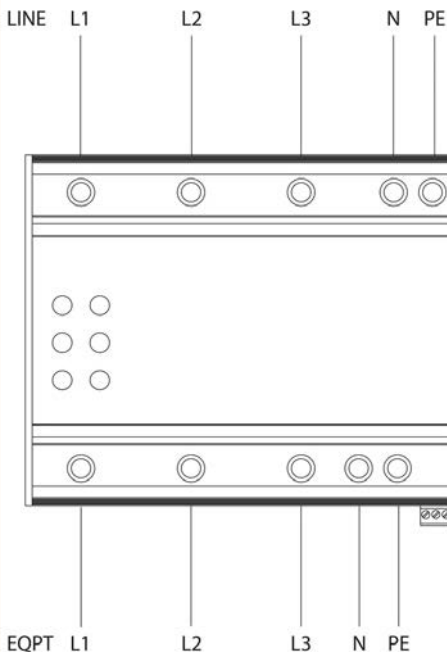


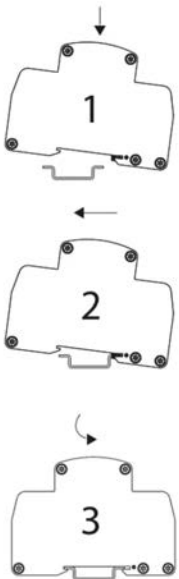
HSF3-63-100-275



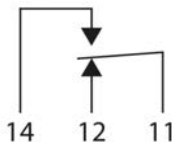
Installation



Mounting





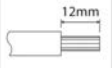
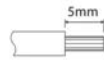


Alarm

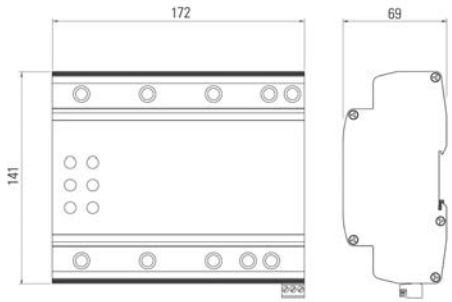


11-12 open	Power On
11-14 closed	
11-12 closed	Power Off
11-14 open	

Terminals

Terminal Type		
min Capacity	2.5 mm ²	0.5 mm ²
max Capacity	16 mm ²	2.5 mm ²
Torque	2 Nm 	0.6 Nm 
Strip Length		







Dimensions



Electrical Specifications

Connection type		Series
Nominal voltage	U_0	230VAC
Maximum backup fuse		63A

Mechanical Specifications

Minimum operating temperature		-40°C
Maximum operating temperature		70°C
Minimum operating humidity		5%
Maximum operating humidity		95%
Mounting method		TS35 DIN Rail
Environmental rating		IP20