

**Product No: 3GBA091010-ASD**

**ABB IE3 CAST IRON MOTOR 2P 2.2KW 400VY FOOT MOUNT B3  
IP66 3GBA091010-ASD**



**General Information**

Brand	ABB
Product Type	General Performance Motors

**Technical Attributes**

Rated Power (kW)	2.2
Rated Voltage (V)	415Y/230D

**Protection & Standards**

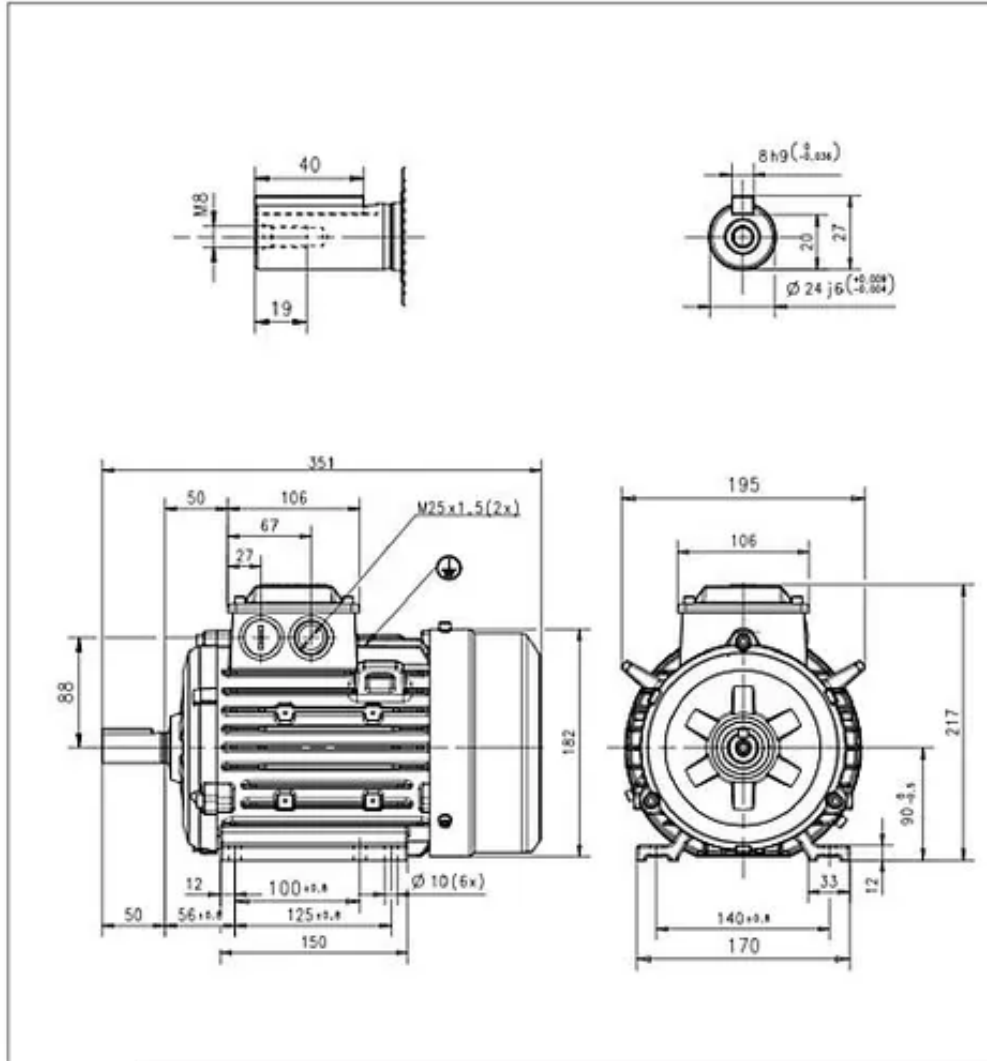
Degree of Protection	IP66
----------------------	------

**Resources**


Product catalogue (Flipbook)	<a href="#">Download from here</a>
------------------------------	------------------------------------



## TECHNICAL DRAWING



Additional information:

<b>Dimension Print</b>	Motor Type:	IE3 M2BAX 90SL_2-6P B3, B6, B7, B8, V5, V6	Document No:	3GZC500009-63 A 13 BA 90 A
	Description:	STANDARD SQUIRREL CAGE MOTOR		
Unit:	ABB Motors and Generators	Issued by:	Jeff Wang	Replaces:
Date:	2015-10-19	Approved by:	Michael Zhang	Replaced by:
<b>ABB Ltd.</b>	Customer Reference:			<b>ABB</b>