

**Product No: 3GBA352230-ADM**

**ABB IE3 CAST IRON MOTOR 4P 355KW 400VD FOOT MOUNT B3  
IP66 3GBA352230-ADM**



**General Information**

Brand	ABB
Product Type	General Performance Motors

**Technical Attributes**

Rated Power (kW)	355
Rated Voltage (V)	690Y/415D

**Protection & Standards**

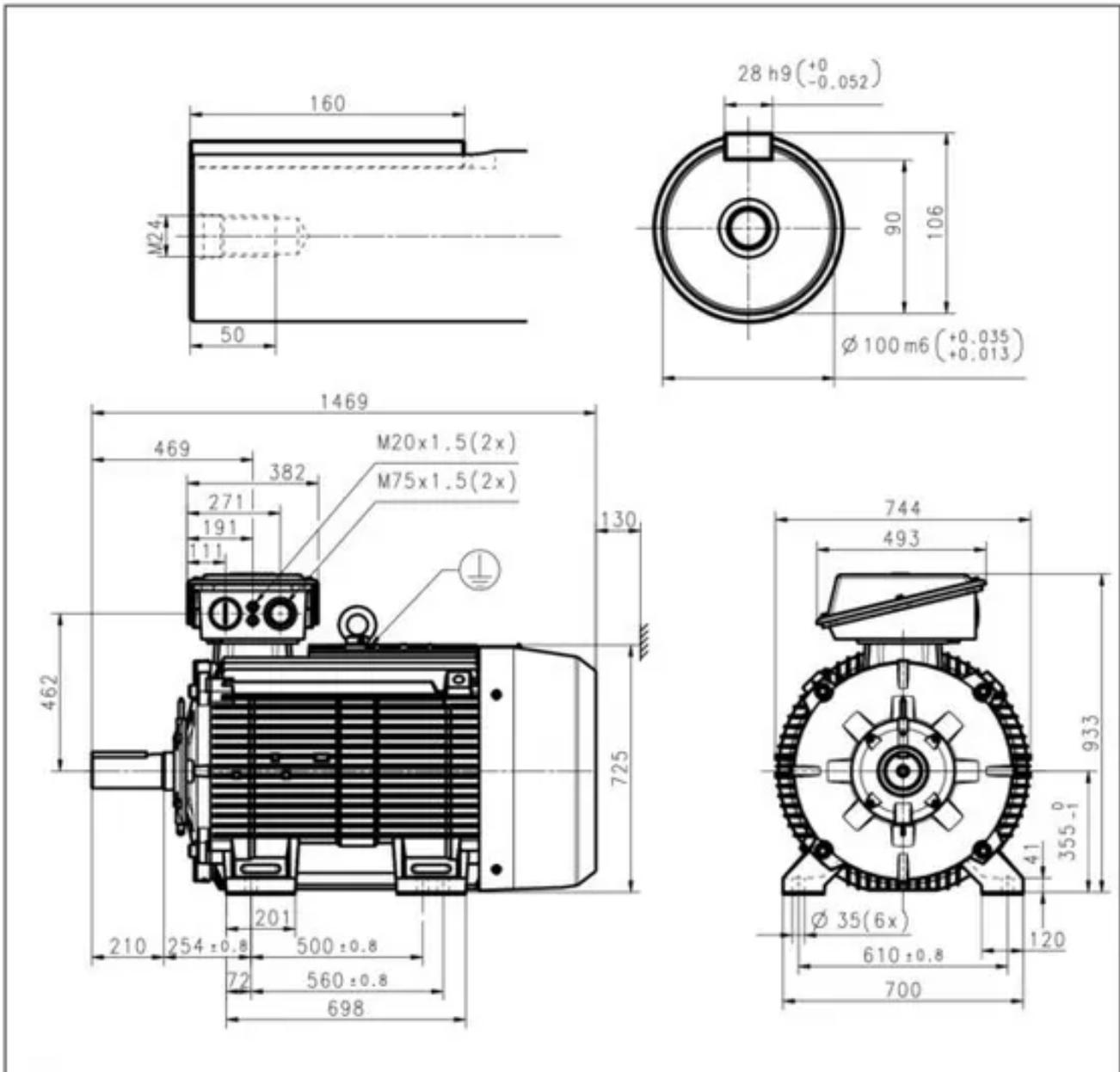
Degree of Protection	IP66
----------------------	------

**Resources**

Product catalogue (Flipbook)	<a href="#">Download from here</a>
------------------------------	------------------------------------



## TECHNICAL DRAWING



Additional information:

<b>Dimension Print</b>	Motor type: M2BAX 355SM_4-8; B3, B6, B7, B8, V5, V6	Document No: 3GZCS00035-144 E
------------------------	--	----------------------------------

Description:  
STANDARD SQUIRREL CAGE MOTOR

Unit: IEC LV Motors Date: 25-Jun-2014	Issued by: Xu, Nandy-NanNan Approved by: Michael Zhang	Replaces: Replaced by:
--	---	---------------------------

<b>ABB</b>	Customer Reference:	
------------	---------------------	---