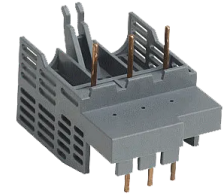


Product No: PSR16-MS116**ABB CONNECTION KIT PSR16-MS116****General Information**

Brand	ABB
Product Type	Accessory
Suitable For	PSR3 - PSR16 with MS116 or MS132

Physical Attributes

Ambient Temperature Range (°C)	-25 to 60
Storage Temperature Range (°C)	-40 to 70

Dimensions

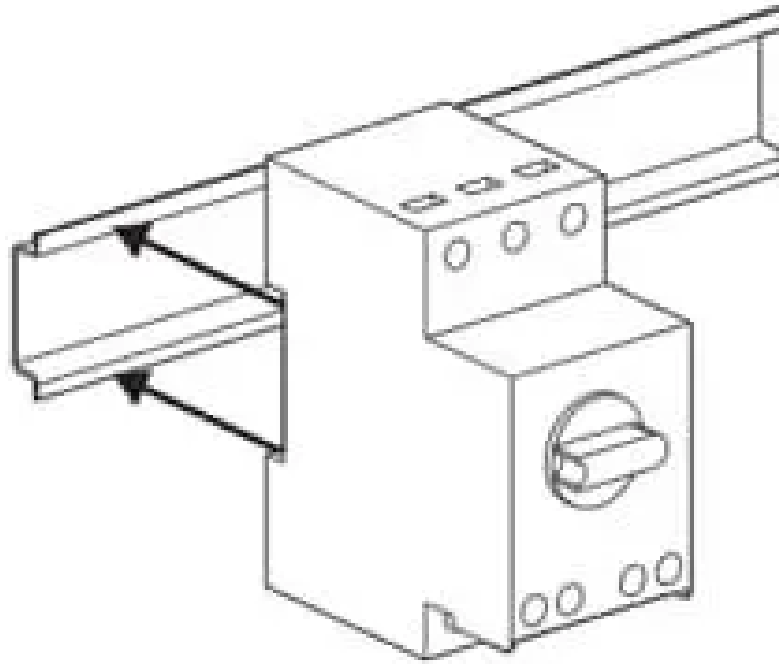
Dimensions (mm)	45W x 42H x 70D
Weight (kg)	0.03

Resources

Product catalogue (Flipbook)	Download from here
------------------------------	------------------------------------

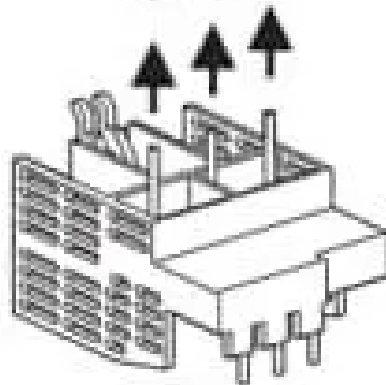


TECHNICAL DRAWING

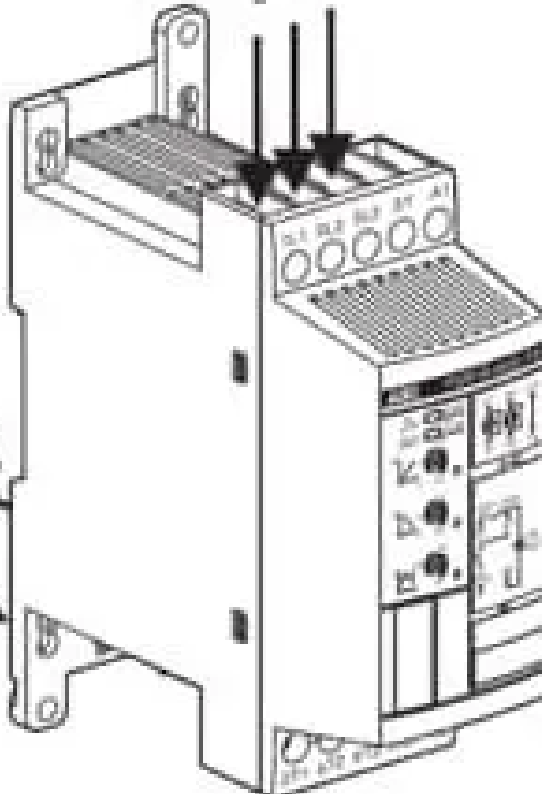


DIN Rail

MS116



Connection kit



PSR3...16

