

Product No: 3GBA071320-HSD

**ABB IE3 CAST IRON MOTOR 2P 0.55KW 400VY FOOT/BIG
FLANGE MOUNT B35 IP66 3GBA071320-HSD**



General Information

Brand	ABB
Product Type	General Performance Motors

Technical Attributes

Rated Power (kW)	0.55
Rated Voltage (V)	415Y/230D

Protection & Standards

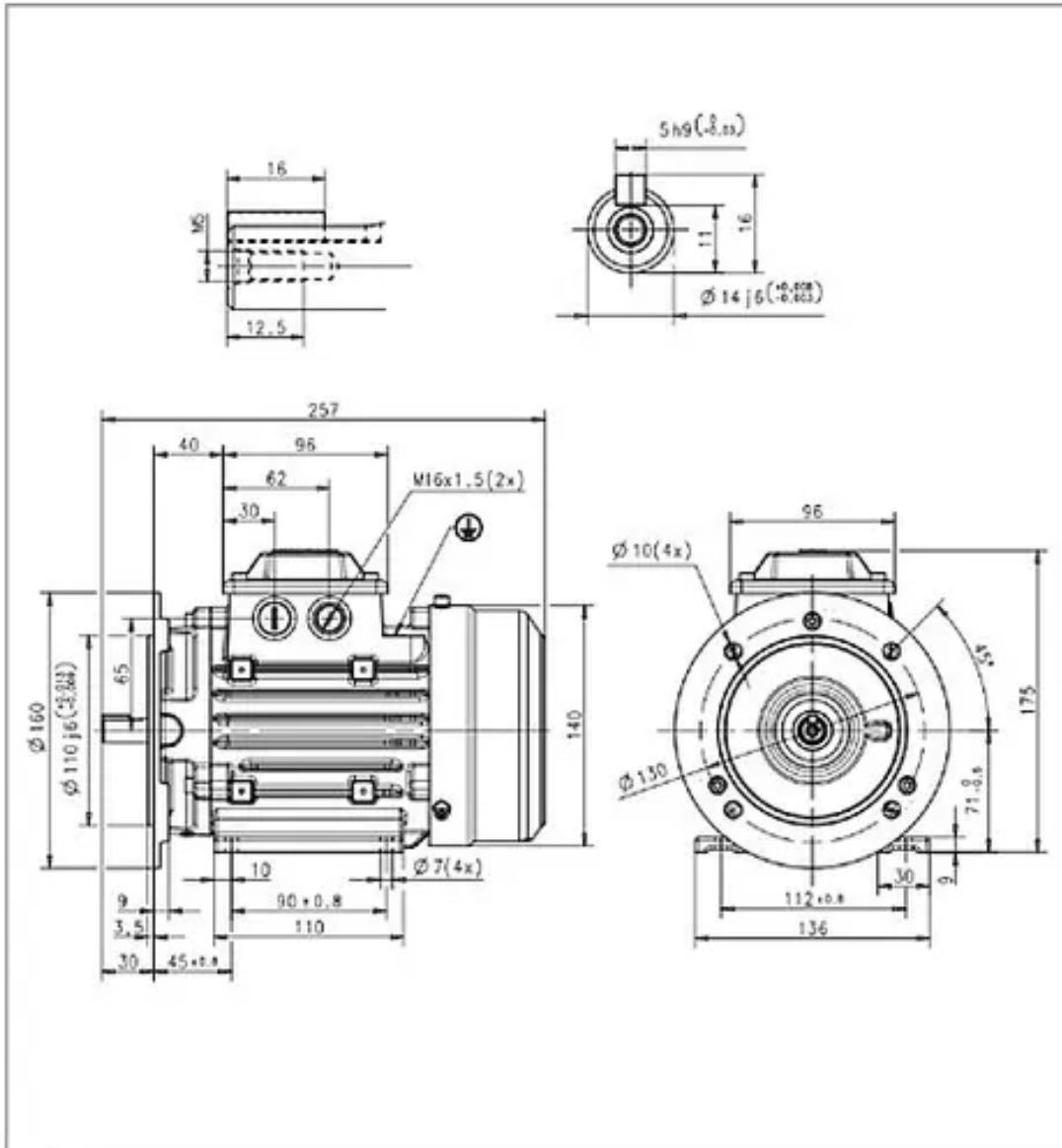
Degree of Protection	IP66
----------------------	------

Resources

Product catalogue (Flipbook)	Download from here
------------------------------	------------------------------------



TECHNICAL DRAWING



Additional information:

Dimension Print	Motor Type:	IE2 M2BAX 71M_2-6 B35, V15, V36	Document No:	3GZC500007-15 E
		IE3 M2BAX 71M_2-6 B35, V15, V36		14 BA 71 A
Description:	STANDARD SQUIRREL CAGE MOTOR VC009			
Unit:	ABB Motors and Generators	Issued by:	Juicy Hou	Replaces:
Date:	2016-03-17	Approved by:	Anna Feng	Replaced by:
ABB Ltd.	Customer Reference:			ABB