

A vertical photograph on the left side of the slide shows a large stadium at night. The stadium's roof is illuminated with a bright red light, and the surrounding area is also lit with red lights. The scene is reflected in a body of water in the foreground. The sky is dark with some clouds.

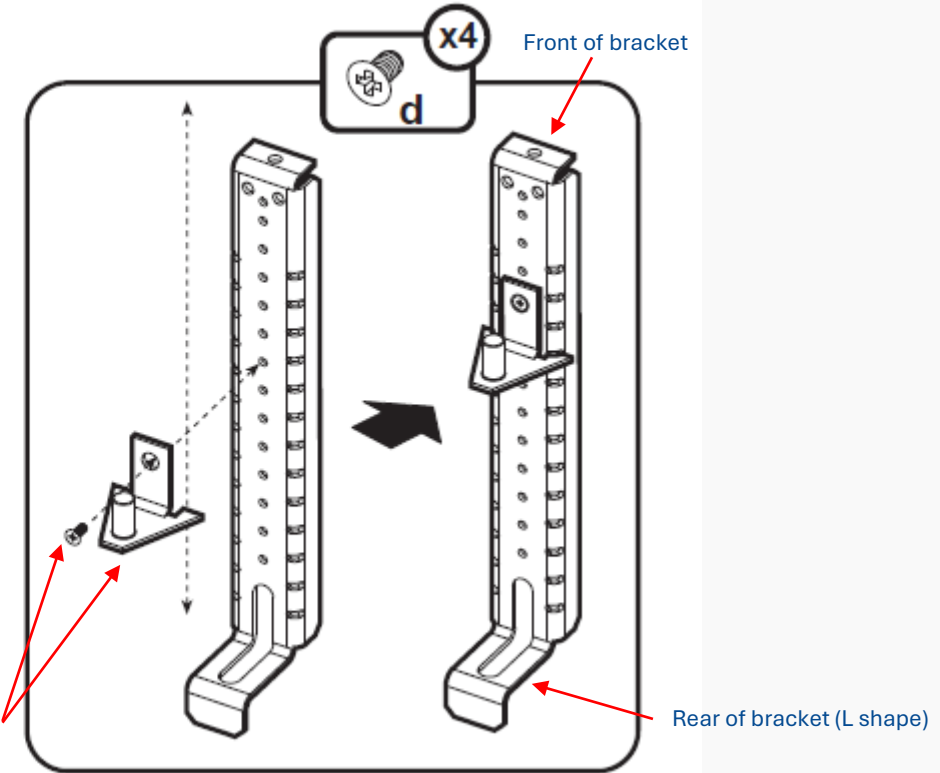
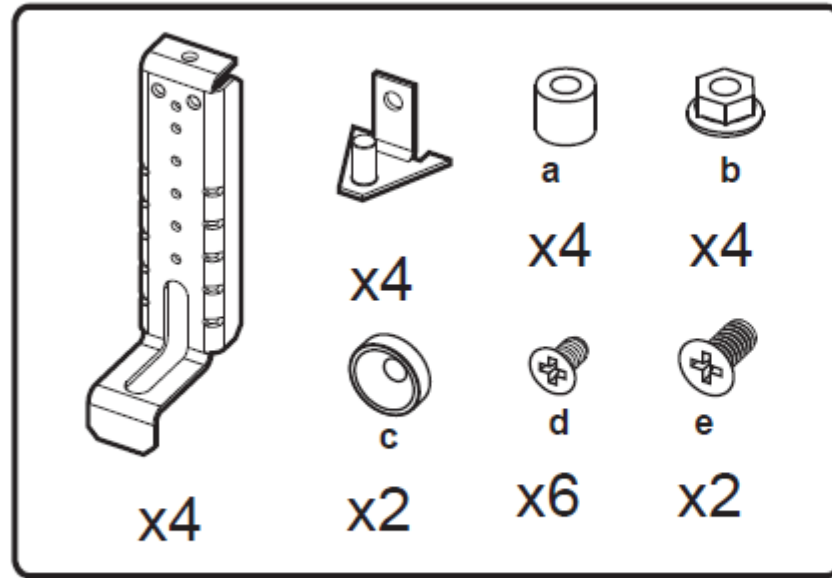
# Fitting Depth Adjusting Brackets

MSB series mild steel enclosures

Prepared by  
Igsaan Jamie 24 July 24

# Bracket Kit required

MSB enclosures



**Features:**

- For adjusting mounting plate depth
- For inner door fitting
- Galvanised Steel



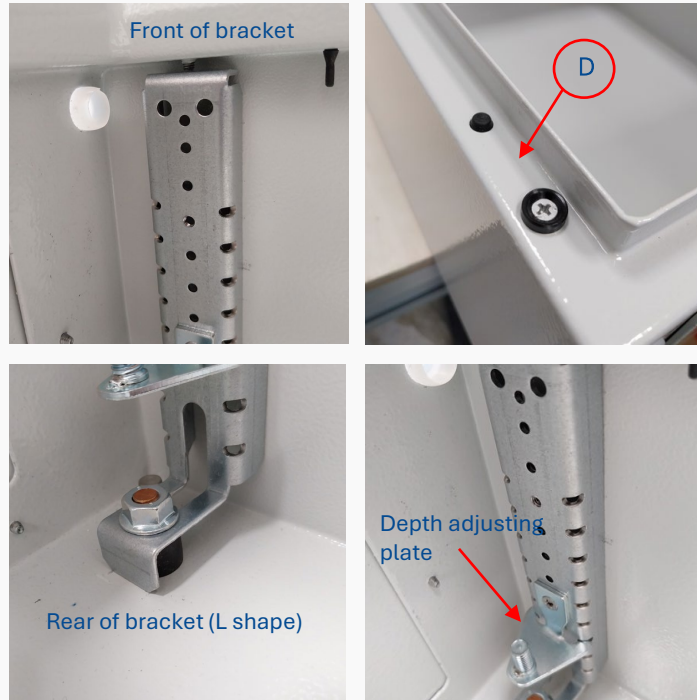
**DEPTH ADJUSTING BRACKETS (PACK 4)**

Description	Part No.
For 150mm deep Enclosures	SP150
For 200mm deep Enclosures	SP200
For 250mm deep Enclosures	SP250
For 285mm deep Enclosures	SP285
For 300mm deep Enclosures	SP300
For 400mm deep Enclosures	SP400

Note, this kit and instructions applies to the MSB series mild steel enclosures only

# Fitting Instructions

## MSB enclosures



- Remove enclosure the door when installing these brackets.
- Take care not to chip the paint when installing these brackets.
- Remove the respective sealing caps and insert the screws/pins supplied with the kit as shown in figures 3B and 4B.
- The images above shows the brackets installed.
- Install the mounting plate after the brackets have been installed.
- Insert and move the adjusting plates in the desired position and fit the inner door/escutcheon or back plate at the desired depth.

