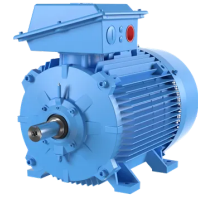


Product No: 3GBA312420-ADM

**ABB IE3 CAST IRON MOTOR 4P 200KW 400VD FOOT MOUNT
B3 IP66 3GBA312420-ADM**



General Information

Brand	ABB
Product Type	General Performance Motors

Technical Attributes

Rated Power (kW)	200
Rated Voltage (V)	690Y/415D

Protection & Standards

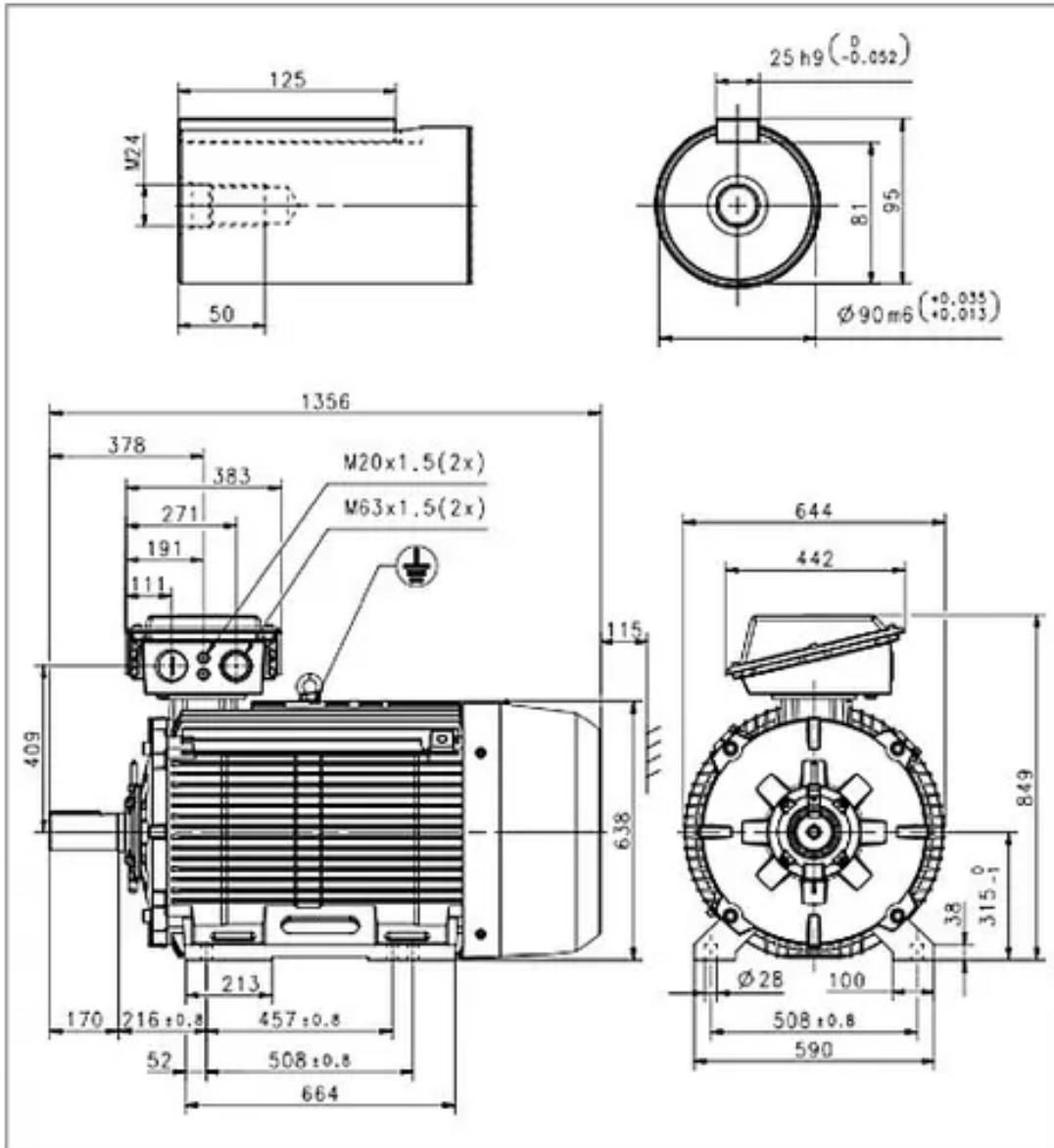
Degree of Protection	IP66
----------------------	------

Resources

Product catalogue (Flipbook)	Download from here
------------------------------	------------------------------------



TECHNICAL DRAWING



Additional information:

Dimension Print	Motor Type: M2BA/BAX 315ML_4-8 B3 V5 V6 B6 B7 B8.	Document No: 3GZC500031-151 D 13 BA 315 A
	Description: STANDARD SQUIRREL CAGE MOTOR	
Unit: Date:	ABB Ltd., Motors and Generators 2020-07-21	Issued by: Approved by:
	David Wang Adam Zhu	Replaces: Replaced by:
ABB Ltd.	Customer Reference:	ABB