

Product No: 3GBA282260-HDF

**ABB IE3 CAST IRON MOTOR 4P 75KW 400VD FOOT/BIG FLANGE
MOUNT B35 IP66 3GBA282260-HDF**



General Information

Brand	ABB
Product Type	General Performance Motors

Technical Attributes

Rated Power (kW)	75
Rated Voltage (V)	690Y/415D

Protection & Standards

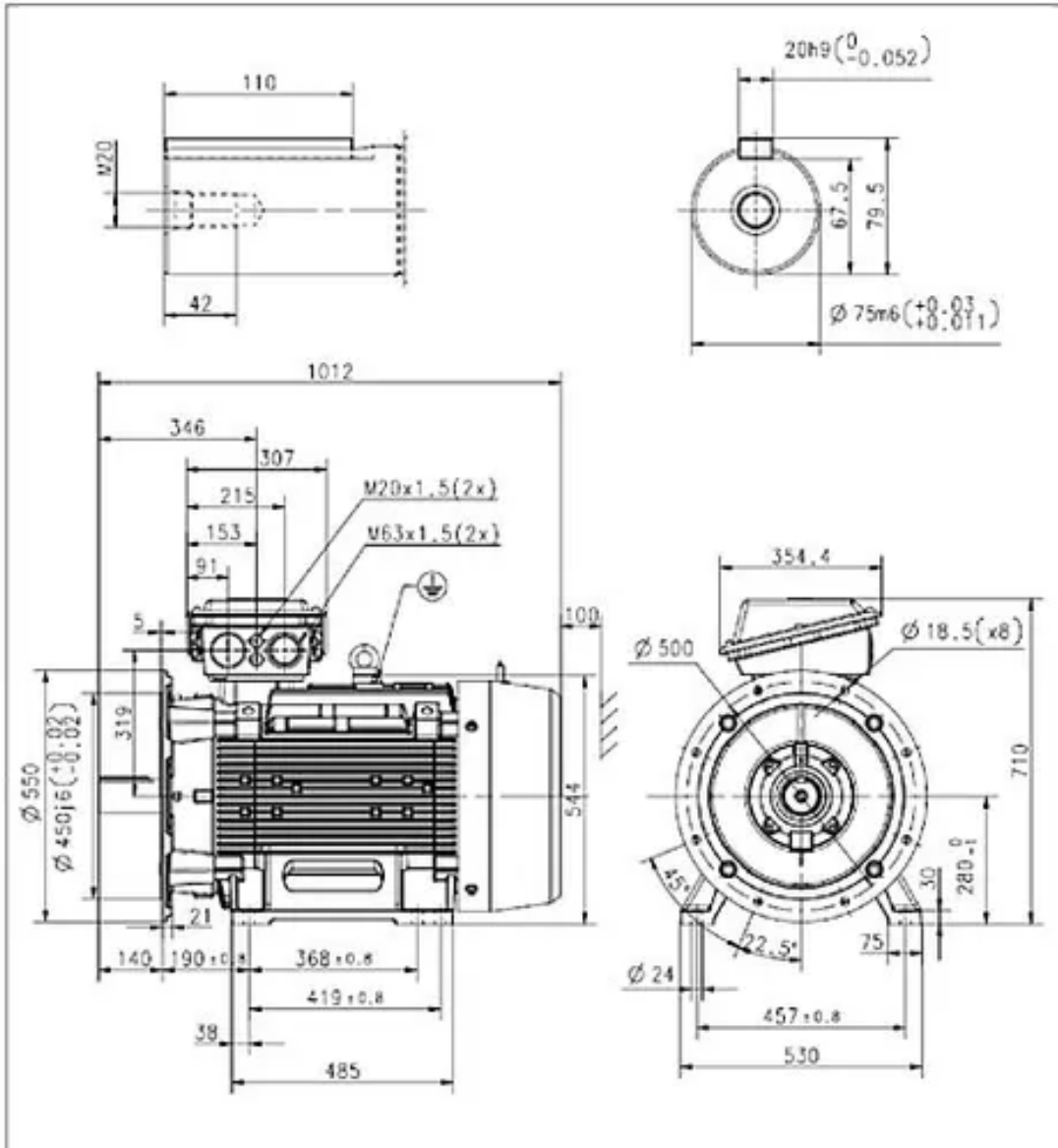
Degree of Protection	IP66
----------------------	------

Resources

Product catalogue (Flipbook)	Download from here
------------------------------	------------------------------------



TECHNICAL DRAWING



Additional information:		
Dimension Print	Motor Type: IE2&IE1 M2BAX 280SMD/E_4-6 B35 V15 V36, IE3 M2BAX 280SMF/G_4-6 280SMA/B8 B35 V15 V36	Document No: 3GZC-500028-203 D 13 BA 280 A
Description: STANDARD SQUIRREL CAGE MOTOR		
Unit: ABB Ltd., Motors and Generators	Issued by: David Wang	Replaces:
Date: 2020-07-15	Approved by: Adam Zhu	Replaced by:
ABB Ltd.	Customer Reference:	ABB