

TELERGON ZBK633P/E PLASTIC ENCLOSED LOAD BREAK SWITCH 63A 3P 18.5kW

ZBK633P/E

FEATURES

- Fixed earth terminal
- Enclosure material: Plastic
- Sealable lid screw
- Padlockable handle
- Degree of protection: IP65



GENERAL INFORMATION

Brand	TELERGON
Product Type	Enclosed
Series	ZBK

TECHNICAL ATTRIBUTES

Backup fuse rating (A)	63
Conventional Free-Air Thermal Current - I _{th} (A)	63
Conventional Thermal Current - I _{the} (A)	63
No. of Poles	3P
Power Loss (W)	2.8/Pole
Rated Conditional Short-Circuit Current - I _{nc} (kA)	10
Rated Impulse Withstand Voltage (kV)	6
Rated Insulation Voltage (V)	690
Rated Operational Current AC-21A 415V (A)	63
Rated Operational Current AC-23A 415V (A)	45
Rated Operational Current DC-21A 110V (A)	50
Rated Operational Power AC-23B 415V (A)	22
Rated Operational Power AC-23B 690V (A)	18.5
Rated Operational Voltage (V)	690
Rated Short-time Withstand Current - I _{cw} (kA/1s)	0.36

PHYSICAL ATTRIBUTES

Handle Material	Plastic
Included	Handle

DIMENSIONS

Cable Cross Section (mm ²)	16
--	----

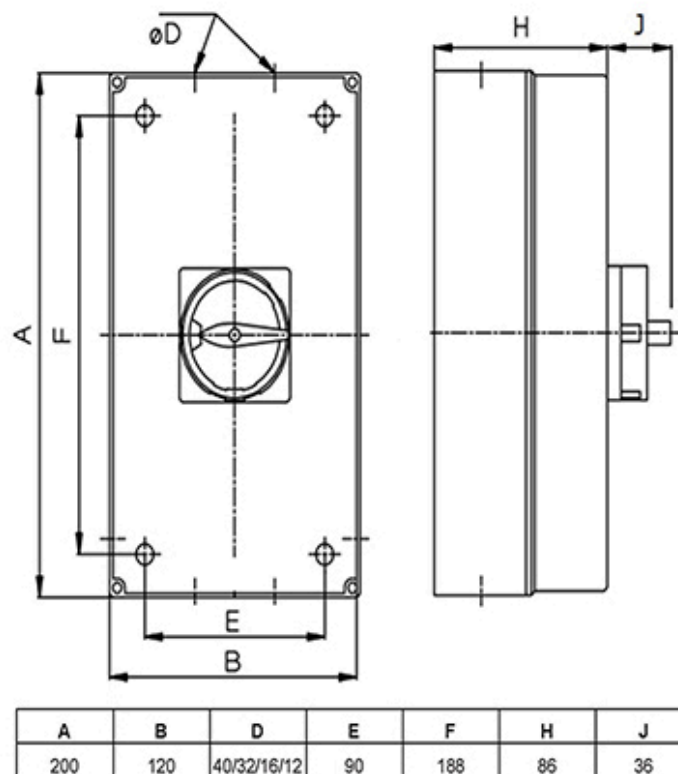
PROTECTION & STANDARDS

Degree of Protection	IP65
Degree of Protection - Handle	IP65

RESOURCES

Product catalogue (Flipbook)	Download from here
------------------------------	------------------------------------

TECHNICAL DRAWING



WIRING DIAGRAM

DC Connections

