

Product No: ZBK403P/E

TELERGON ZBK403P/E PLASTIC ENCLOSED LOAD BREAK SWITCH 40A 3P 15kW

FEATURES

- - Enclosure material: Plastic
- - Padlockable handle
- - Sealable lid screw
- - Number of poles: 3P+N
- - Degree of protection: IP65



General Information

Brand	TELERGON
Included	Handle
Product Type	Enclosed Load Break Switch
Series	ZBK

Technical Attributes

Backup fuse rating (A)	40
Conventional Free-Air Thermal Current - I _{th} (A)	40
Conventional Thermal Current - I _{the} (A)	40
No. of Poles	3P
Power Loss (W)	1.5/Pole
Rated Conditional Short-Circuit Current - I _{nc} (kA)	10
Rated Impulse Withstand Voltage (kV)	6
Rated Insulation Voltage (V)	690
Rated Operational Current AC-21A 415V (A)	40
Rated Operational Current AC-23A 415V (A)	32
Rated Operational Current DC-21A 110V (A)	32
Rated Operational Power AC-23B 415V (A)	16
Rated Operational Power AC-23B 690V (A)	15
Rated Operational Voltage (V)	690
Rated Short-time Withstand Current - I _{cw} (kA/1s)	0.5

Physical Attributes

Handle Material Plastic

Dimensions

Cable Cross Section (mm²) 10

Protection & Standards

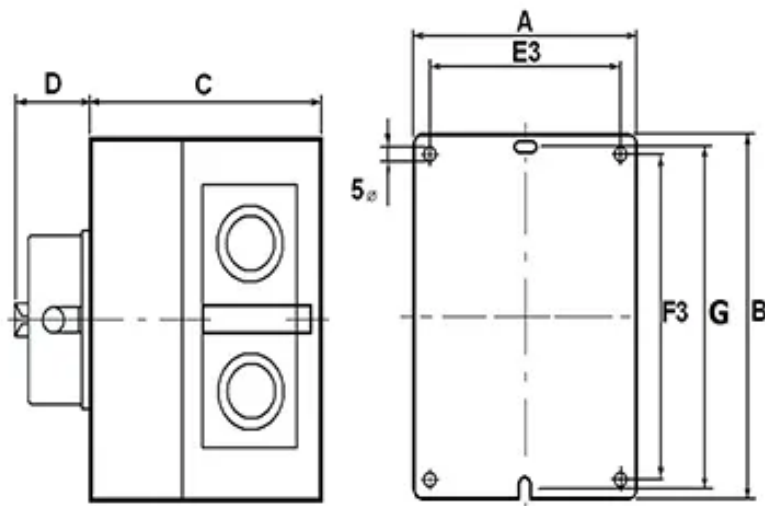
Degree of Protection IP65

Degree of Protection - Handle IP65

Resources

Product catalogue (Flipbook) [Download from here](#)

TECHNICAL DRAWING



A	B	C	D	E3	F3	G
100	130	77	31.5	75	100	120

