

Product No: TCO1254P/E

TELERGON CHANGEOVER SWITCH POLYCARBONATE ENCLOSED 4P 125A IP65 TCO1254P/E

FEATURES

- - Enclosed Changeover Switch Disconnecter
- - Door mount handle with 3 position padlocking
- - Rated up to 125A at 690V AC



General Information

Brand	TELERGON
Included	Load side cable loops
Product Type	Enclosed

Technical Attributes

Free Air Thermal Current (A)	125
Enclosed Thermal Current (A)	125
Application	Mains / Generator isolators
Electrical Endurance (Cycles)	1000
Maximum Cable Cross Section (mm ²)	70
Mechanical Endurance (Cycles)	10000
Minimum Cable Cross Section (mm ²)	2.5
No. of Poles	4
Rated Impulse Withstand Voltage (kV)	8
Rated Insulation Voltage (V)	1000
Rated Operational Current AC-21A 415V (A)	125
Rated Operational Current AC-21A 500V (A)	125
Rated Operational Current AC-22A 415V (A)	125
Rated Operational Current AC-22A 500V (A)	125
Rated Operational Power AC-23A 415V (kW)	69.2
Rated Operational Voltage AC (V)	690
Tightening Torque (Nm)	4

Physical Attributes

Material	Polycarbonate (Switch) Polyester (Cover)
Mounting Type	1 x set 4 Polyamide Feet

Dimensions

Dimensions (mm)	372W x 302H x 175D
Weight (kg)	6.3

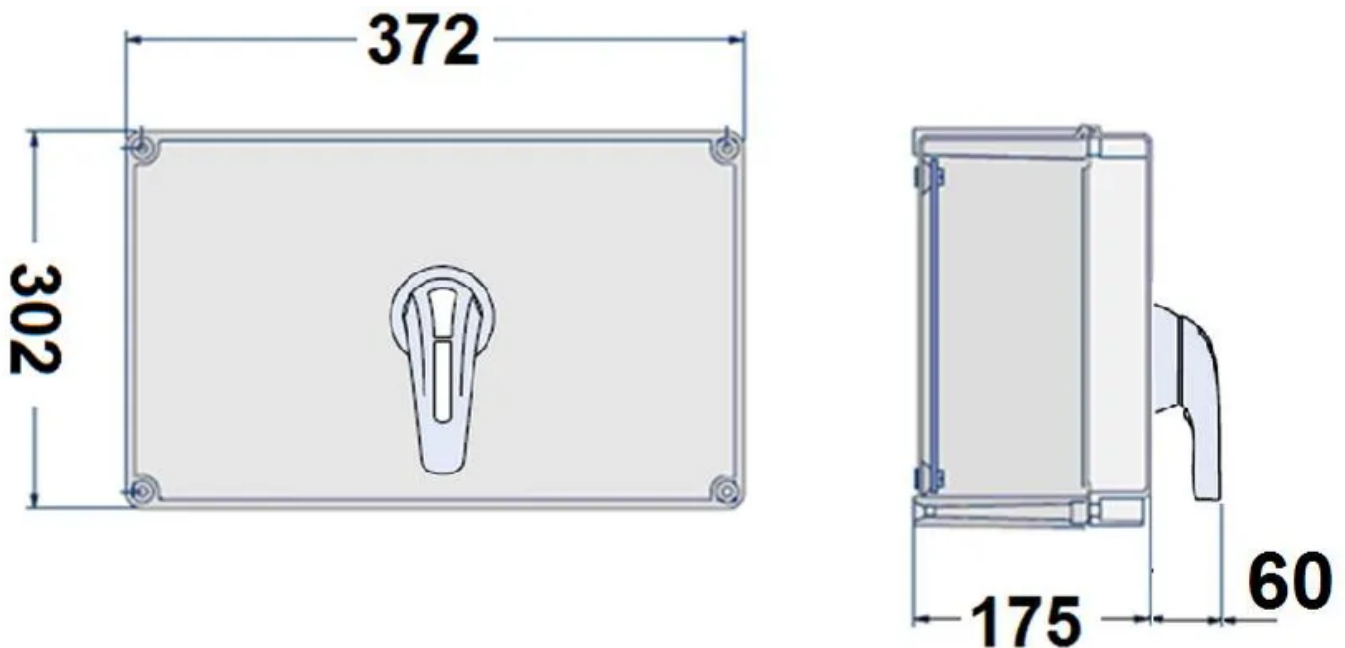
Protection & Standards

Degree of Protection	IP65
Standards and Approvals	IEC EN 60947.3

Resources

Product catalogue (Flipbook)	Download from here
------------------------------	------------------------------------

TECHNICAL DRAWING



WIRING DIAGRAM

