

## Product No: SD176

**IPD STAND-OFF INSULATOR 76mm H 50mm DIAMETER, M10  
fixing SD1/M10/076 SD176**

### FEATURES

- Made of Halogen free fiberglass composite materials
- High thermal, mechanical & electrical strength
- Self-extinguishing and heat resistant (ISO 75/A>200°C)
- Glow-wire flammability tested up to 960°C as per IEC 60695-2-11



### General Information

Brand	IPD
Carton Quantity	50
Product Type	Insulator

### Technical Attributes

Rated Frequency (Hz)	50/60
Rated Impulse Withstand Voltage (kV)	50
Test Voltage (kV)	1.5
Thread Size	M10
Tightening Torque (Nm)	20 - 28

### Physical Attributes

Material	Glass-fiber reinforced Dough Molding Compound
----------	---

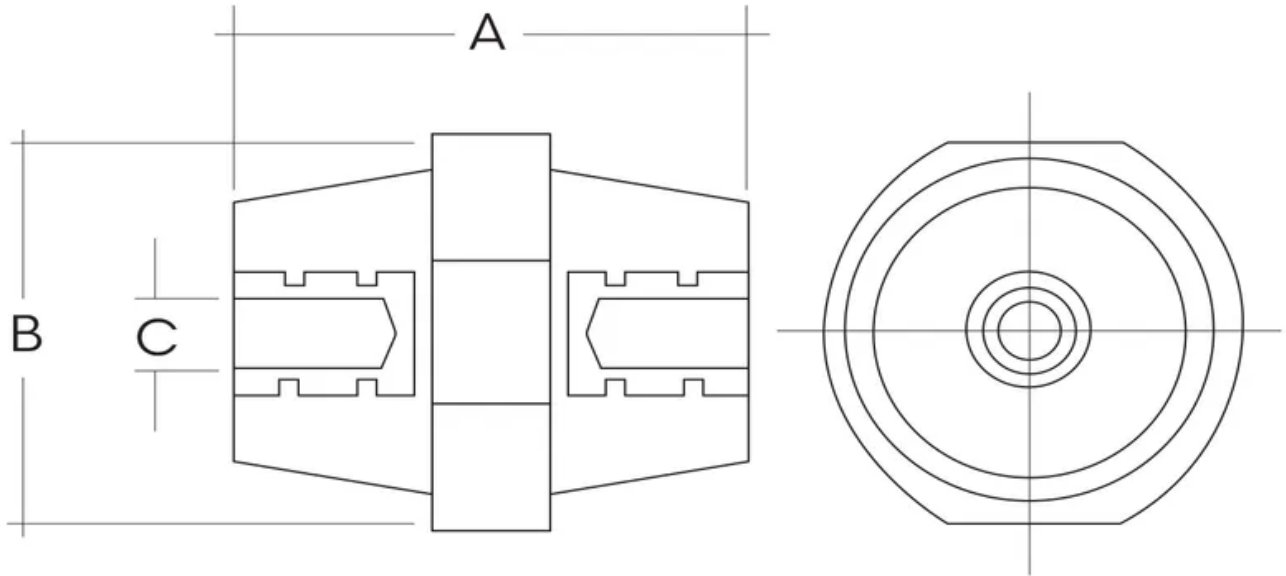
### Dimensions

Diameter (mm)	50
Height (mm)	76

### Resources

Product catalogue (Flipbook)	<a href="#">Download from here</a>
------------------------------	------------------------------------

**TECHNICAL DRAWING**



A	B	C
76mm	50mm	M10