

## Product No: 3GBA352220-ADM

**ABB IE3 CAST IRON MOTOR 4P 315KW 400VD FOOT MOUNT B3  
IP66 3GBA352220-ADM**



### General Information

Brand	ABB
Product Type	General Performance Motors

### Technical Attributes

Rated Power (kW)	315
Rated Voltage (V)	690Y/415D

### Protection & Standards

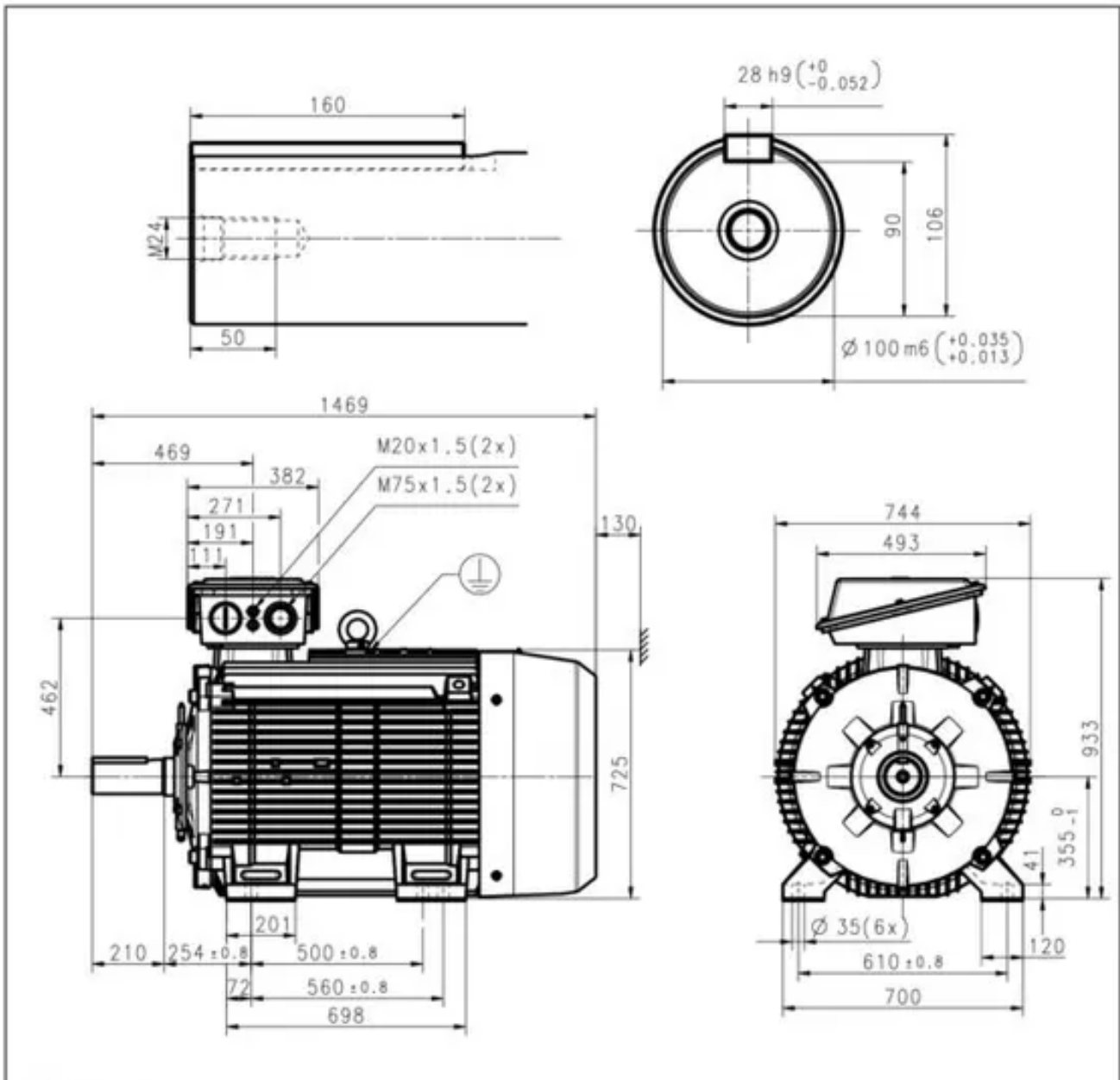
Degree of Protection	IP66
----------------------	------

### Resources

Product catalogue (Flipbook)	<a href="#">Download from here</a>
------------------------------	------------------------------------



## TECHNICAL DRAWING



Additional information:

<b>Dimension Print</b>	Motor type:	M2BAX 355SM_4-8; B3, B6, B7, B8, V5, V6	Document No:	3GZCS00035-144 E

Description:  
STANDARD SQUIRREL CAGE MOTOR

Unit:	IEC LV Motors	Issued by:	Xu, Nandy-NanNan	Replaces:	
Date:	25-Jun-2014	Approved by:	Michael Zhang	Replaced by:	

<b>ABB</b>	Customer Reference:		