

## Product No: 3GAA252210-ADK

ABB IE3 ALUMINUM MOTOR 4P 55KW 400VD FOOT MOUNT B3  
IP55 3GAA252210-ADK



### General Information

Brand	ABB
Product Type	Process Performance Motors

### Technical Attributes

Efficiency	94.60%
Net Weight (kg)	376
Rated Power (kW)	55
Rated Voltage (V)	690Y/415D

### Dimensions

Dimensions (mm)	473W x 601H x 884D
-----------------	--------------------

### Protection & Standards

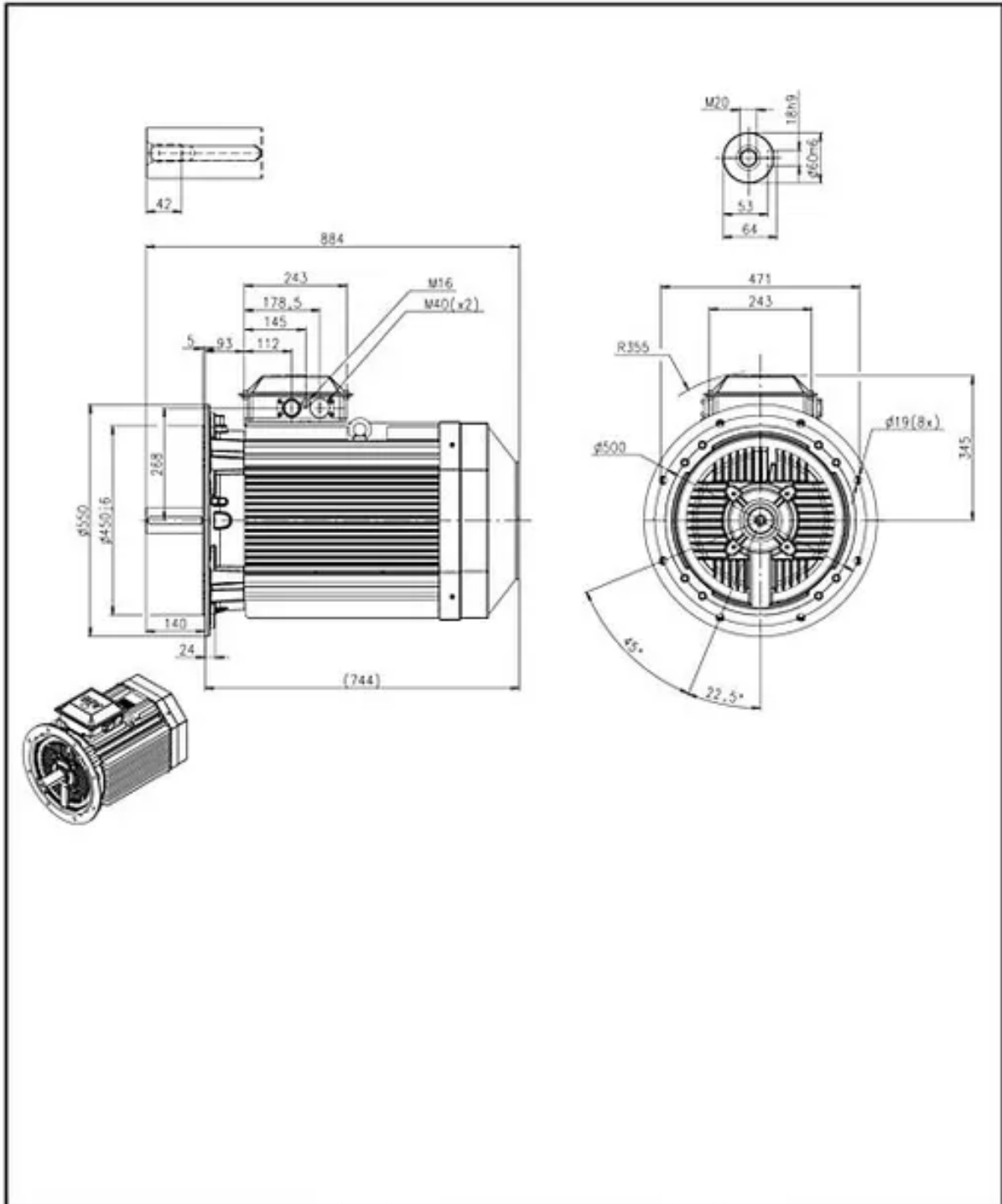
Degree of Protection	IP55
----------------------	------


### Resources

Product catalogue (Flipbook)	<a href="#">Download from here</a>
------------------------------	------------------------------------



## DIMENSIONS



<b>Motor Dimension Print</b>		Motor Type: <b>M3AA 250-2p IM3001</b>	Document No: <b>3GZV 102 030-H A1.4802</b>
Description: <b>Three phase motor</b>			
Unit: <b>ABB AB, LV Motors, Sweden.</b>	Issued by: <b>H Thorstenson</b>	Replaces:	
Date: <b>2008-01-22</b>	Approved by: <b>N Jonsson</b>	Replaced by:	
Customer Reference:			<b>ABB</b>