

Product No: 3GBA132210-ADD

**ABB IE3 CAST IRON MOTOR 4P 5.5KW 400VD FOOT MOUNT B3
IP66 3GBA132210-ADD**



General Information

Brand	ABB
Product Type	General Performance Motors

Technical Attributes

Net Weight (kg)	67
Rated Power (kW)	5.5
Rated Voltage (V)	690Y/415D

Dimensions

Dimensions (mm)	262W x 302H x 521D
-----------------	--------------------

Protection & Standards

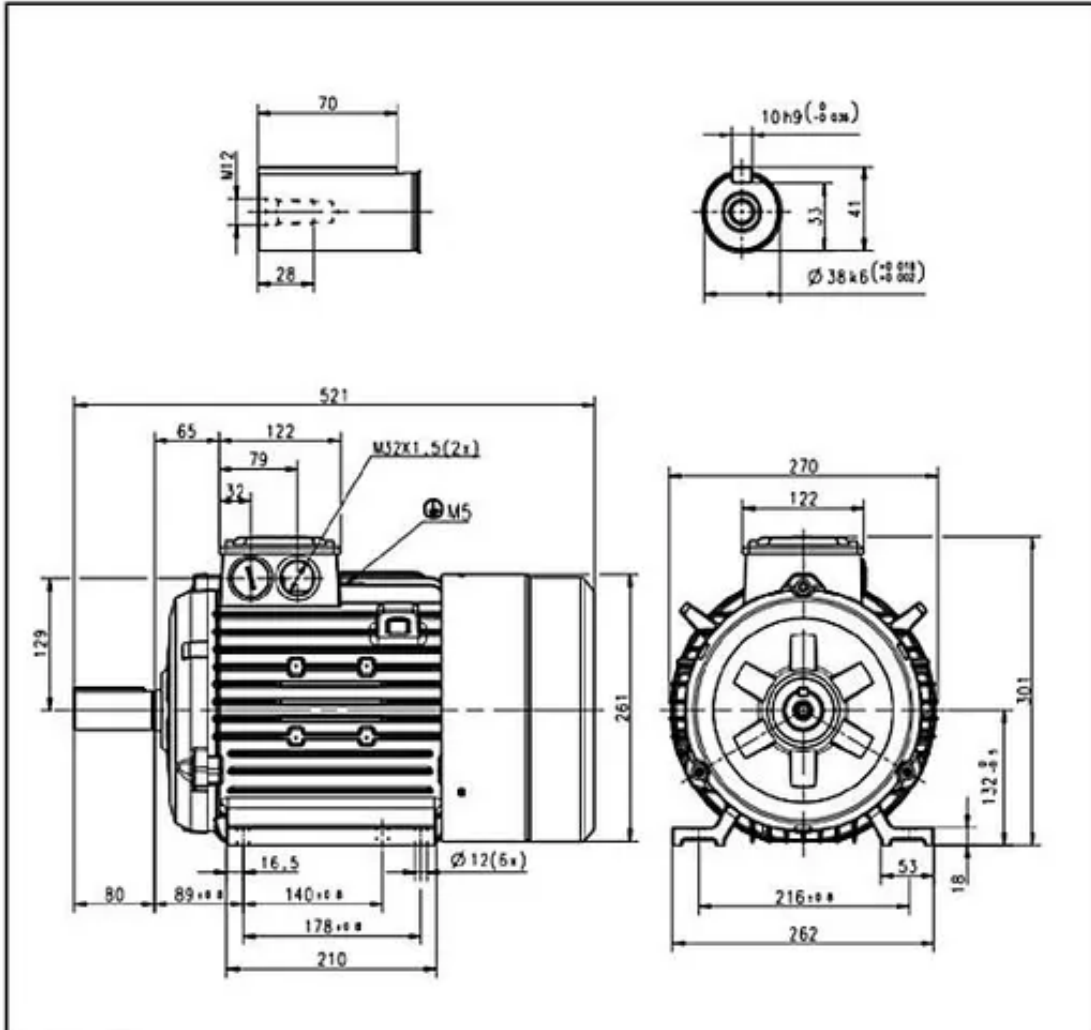
Degree of Protection	IP66
----------------------	------

Resources


Product catalogue (Flipbook)	Download from here
------------------------------	------------------------------------



TECHNICAL DRAWING



Additional Information:

Dimension Print	Motor Type:	Document No:
	M2BAX 132 SM B3, V5, V6	3GZH500013-3 A
Description: STANDARD IE3 SQUIRREL CAGE MOTOR		
Unit:	ABB LV Motors, India.	Issued by: RKS
Date:	2015-12-08	Approved by: SA
Customer Reference:		Replaces:
		Replaced by:
		ABB