

Product No: 3GBA351230-ADM

**ABB IE3 CAST IRON MOTOR 2P 355KW 400VD FOOT MOUNT B3
IP66 3GBA351230-ADM**



General Information

Brand	ABB
Product Type	General Performance Motors

Technical Attributes

Rated Power (kW)	355
Rated Voltage (V)	690Y/415D

Protection & Standards

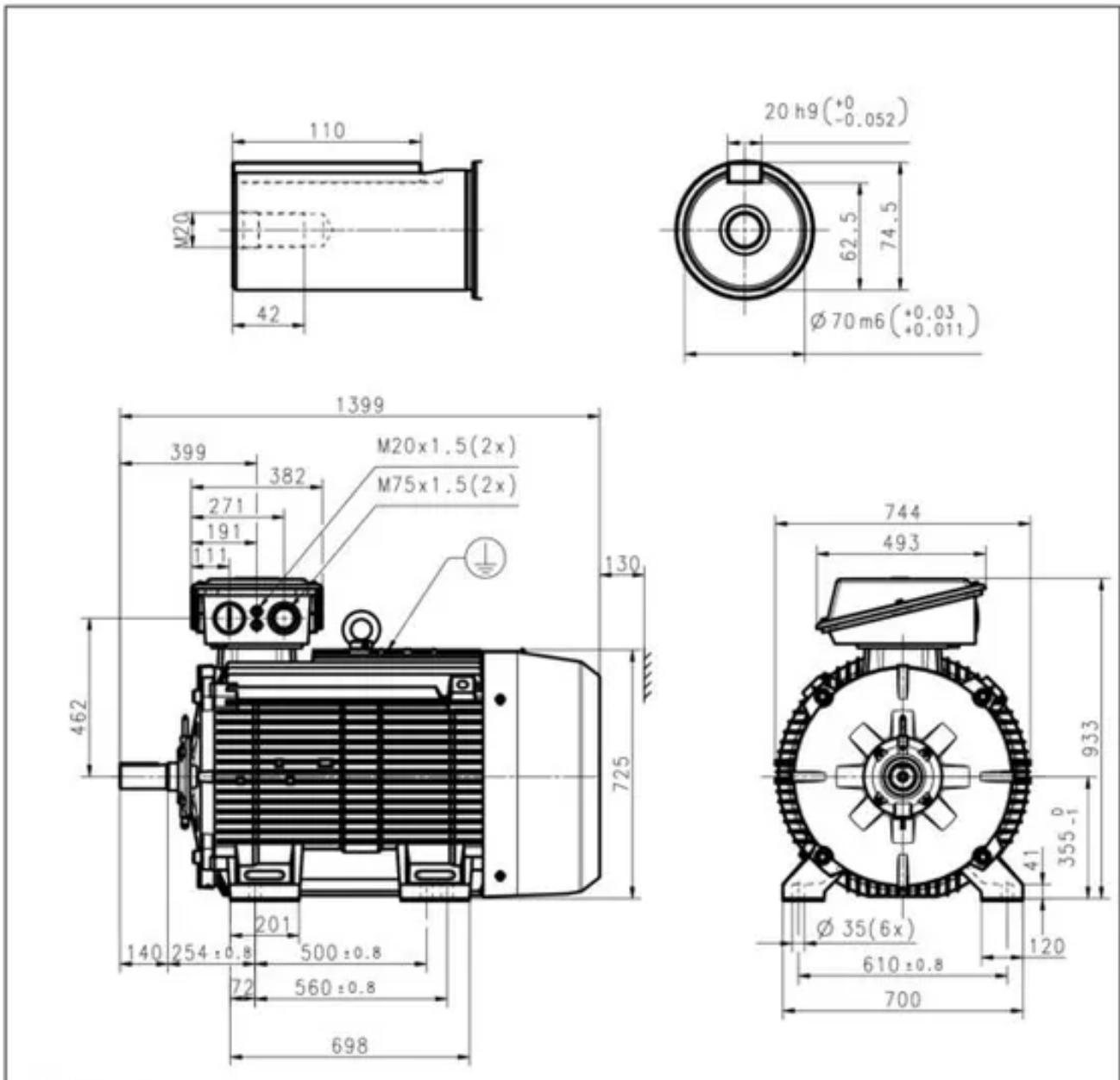
Degree of Protection	IP66
----------------------	------

Resources

Product catalogue (Flipbook)	Download from here
------------------------------	------------------------------------



TECHNICAL DRAWING



Additional information:

Dimension Print	Motor type: M2BAX 355SM.2; B3, B6, B7, B8, V5, V6	Document No: 3GZCS00035-143 E
------------------------	--	----------------------------------

Description:
STANDARD SQUIRREL CAGE MOTOR

Unit: IEC LV Motors Date: 25-Jun-2014	Issued by: Xu, Nandy-NanNan Approved by: Michael Zhang	Replaces: Replaced by:
--	---	---------------------------

ABB	Customer Reference:	
------------	---------------------	---