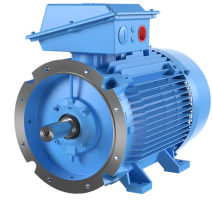


Product No: 3GBA312240-HDM

ABB IE3 CAST IRON MOTOR 4P 160KW 400VD FOOT/BIG FLANGE MOUNT B35 IP66 3GBA312240-HDM



General Information

| | |
|--------------|----------------------------|
| Brand | ABB |
| Product Type | General Performance Motors |

Technical Attributes

| | |
|-------------------|-----------|
| Rated Power (kW) | 160 |
| Rated Voltage (V) | 690Y/415D |

Protection & Standards

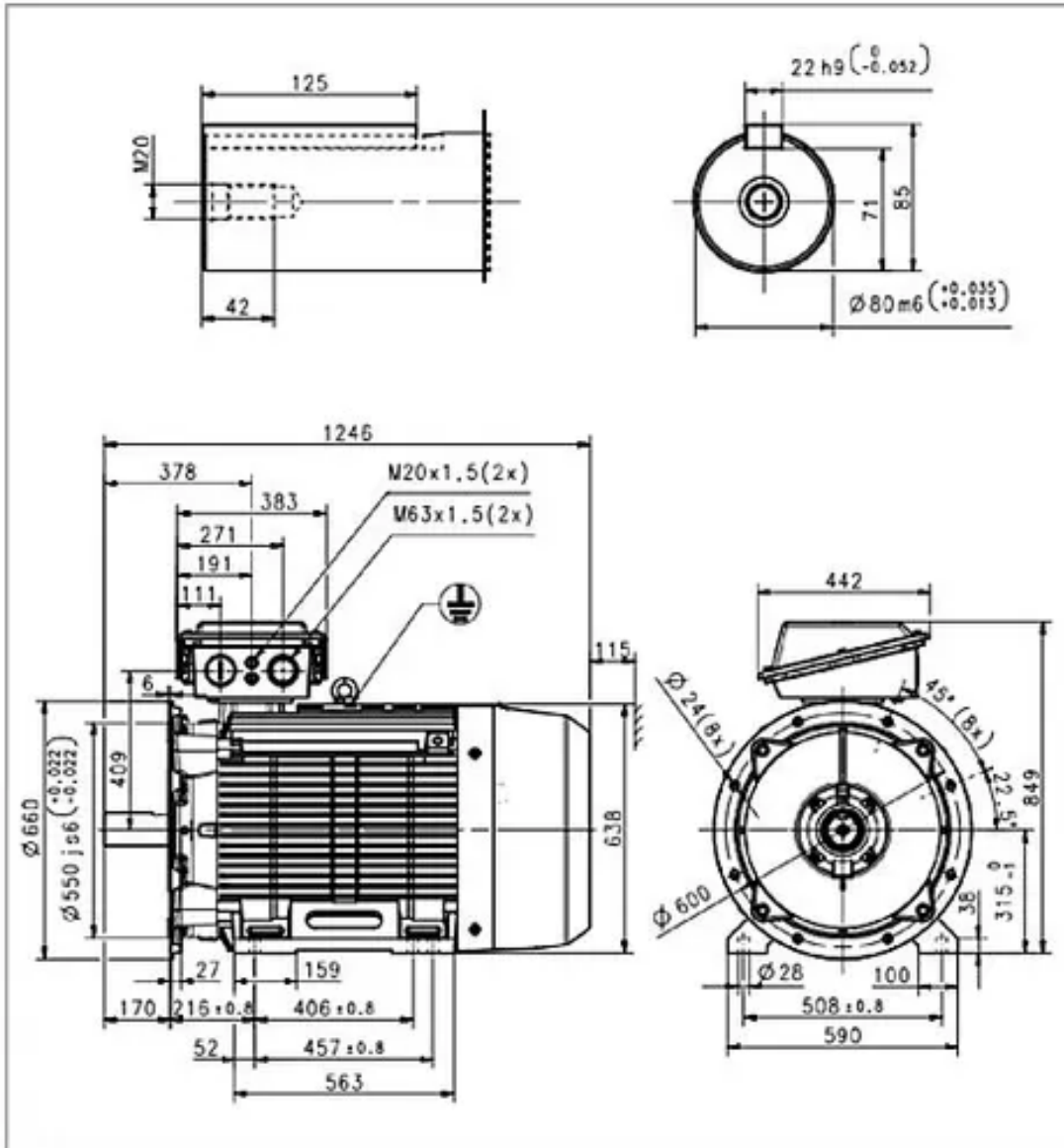
| | |
|----------------------|------|
| Degree of Protection | IP66 |
|----------------------|------|

Resources

| | |
|------------------------------|------------------------------------|
| Product catalogue (Flipbook) | Download from here |
|------------------------------|------------------------------------|



TECHNICAL DRAWING



Additional information:

| | | |
|---------------------------------------|--|---|
| Dimension Print | Motor Type: M2BA/BAX 315SM_4-8 B35 V15 V36. | Document No: 3GZC500031-158 D 13 BA 315 A |
| | Description: STANDARD SQUIRREL CAGE MOTOR | |
| Unit: ABB Ltd., Motors and Generators | Issued by: David Wang | Replaces: |
| Date: 2020-07-21 | Approved by: Adam Zhu | Replaced by: |
| ABB Ltd. | Customer Reference: | ABB |