

## Product No: ZBK1253P/E

### TELERGON ZBK1253P/E PLASTIC ENCLOSED LOAD BREAK SWITCH 125A 3P 37kW

#### FEATURES

- - Fixed earth terminal
- - Enclosure material: Plastic
- - Sealable lid screw
- - Padlockable handle
- - Degree of protection: IP65



#### General Information

|              |                            |
|--------------|----------------------------|
| Brand        | TELERGON                   |
| Included     | Handle                     |
| Product Type | Enclosed Load Break Switch |
| Series       | ZBK                        |

#### Technical Attributes

|  |          |
|--|----------|
| Backup fuse rating (A)   | 125      |
| Conventional Free-Air Thermal Current - I <sub>th</sub> (A)    | 125      |
| Conventional Thermal Current - I <sub>the</sub> (A)            | 125      |
| No. of Poles   | 3P       |
| Power Loss (W)   | 8.3/Pole |
| Rated Conditional Short-Circuit Current - I <sub>nc</sub> (kA) | 5        |
| Rated Impulse Withstand Voltage (kV)                           | 6        |
| Rated Insulation Voltage (V)                                   | 690      |
| Rated Operational Current AC-21A 415V (A)                      | 125      |
| Rated Operational Current AC-23A 415V (A)                      | 85       |
| Rated Operational Current DC-21A 110V (A)                      | 100      |
| Rated Operational Power AC-23B 415V (A)                        | 45       |
| Rated Operational Power AC-23B 690V (A)                        | 37       |
| Rated Operational Voltage (V)                                  | 690      |
| Rated Short-time Withstand Current - I <sub>cw</sub> (kA/1s)   | 1.5      |

### Physical Attributes

Handle Material Plastic

### Dimensions

Cable Cross Section (mm<sup>2</sup>) 50

### Protection & Standards

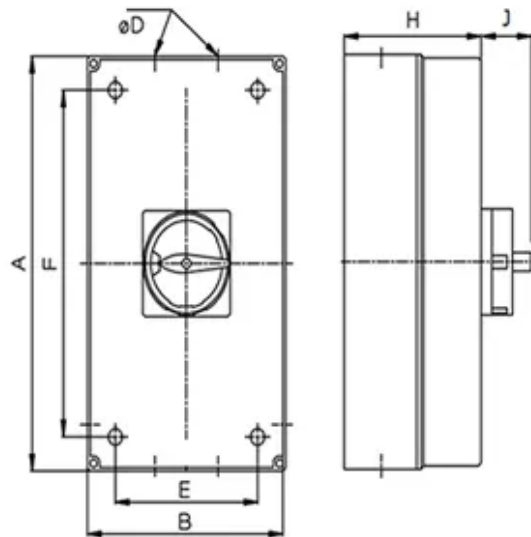
Degree of Protection IP65

Degree of Protection - Handle IP65

### Resources

Product catalogue (Flipbook) [Download from here](#)

## DIMENSIONS



| A   | B   | D           | E  | F   | H  | J  |
|-----|-----|-------------|----|-----|----|----|
| 200 | 120 | 40/32/16/12 | 90 | 188 | 86 | 36 |

## WIRING DIAGRAM

DC Connections

