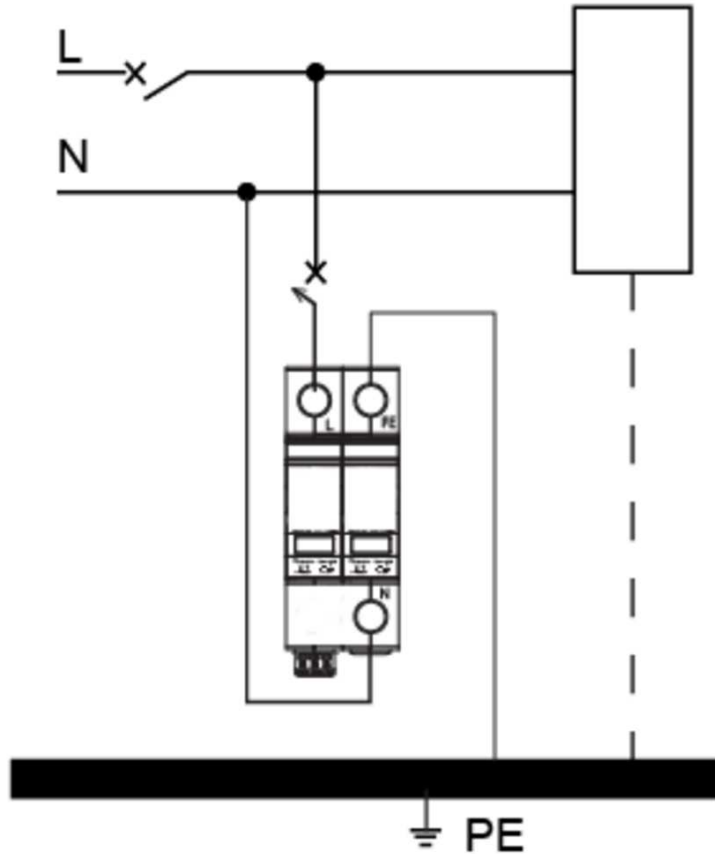


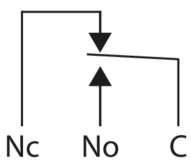
NSP1-40-320-N



Install

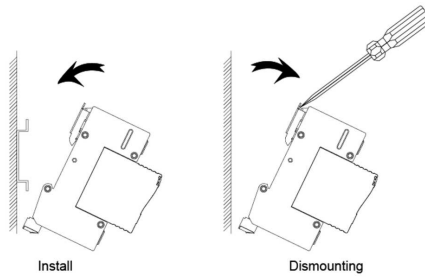


Alarm

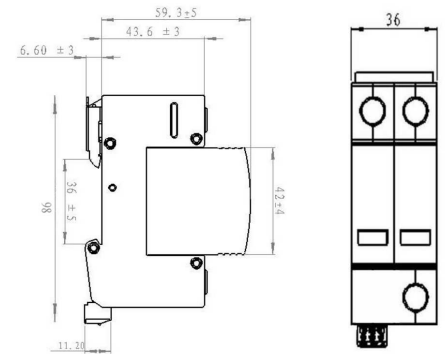


No- C open	✓
Nc- C closed	✓
No- C closed	✗
Nc- C open	✗

Mounting



Dimensions



Electrical Specifications

Connection type		Shunt
Modes of protection		L-N, N-PE
Number of ports		1
Location		Indoor
Nominal voltage	U_0	230VAC
Short circuit withstand level	I_{SSCR}	25kA
Maximum backup fuse		125A
Recommended SCB		SCB1-3-80

Mechanical Specifications

Minimum operating temperature		-40°C
Maximum operating temperature		80°C
Mounting method		TS35 DIN Rail
Environmental rating		IP20
Terminal capacity - power		35mm ²
Terminal capacity - alarms		1.5mm ²