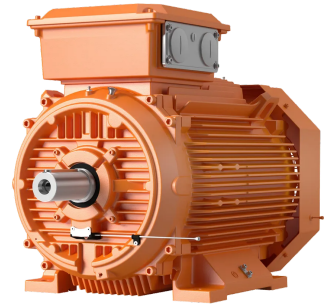


Product No: 3GBP401520-ADKM625

ABB IE3 CAST IRON MINING MOTOR 2P 630KW 400VD FOOT MOUNT B3 IP66 ORANGE 3GBP401520-ADKM625

FEATURES

- IE3 premium efficiency class according to IEC 60034-30-1; 2014
- Permanent grease lubrication
- 6 terminals for connection with cable lugs (not included)
- Copper stator winding
- Pressure die-cast aluminium rotor winding
- Closed key way, half-key balancing as standard
- Components cast from EN-GJL-200 and EN-GJL-250 grade material for extra strength
- Closable grease ejection port with handle located safely on side of motor



General Information

| | |
|--------------|---------------|
| Brand | ABB |
| Product Type | Mining Motors |

Technical Attributes

| | |
|-------------------------|-----------|
| No. of Poles | 2 |
| Rated Frequency (Hz) | 50 |
| Rated Output Power (kW) | 630 |
| Rated Voltage (V) | 415Δ/690Y |
| Speed (RPM) | 3000 |

Physical Attributes

| | |
|---------------|---------------|
| Colour | Orange |
| Mounting Type | B3 Foot Mount |

Dimensions

| | |
|-----------------|--------------------|
| Dimensions (mm) | 110W x 157H x 214D |
| Weight (kg) | 3540 |

Protection & Standards

Degree of Protection

IP66

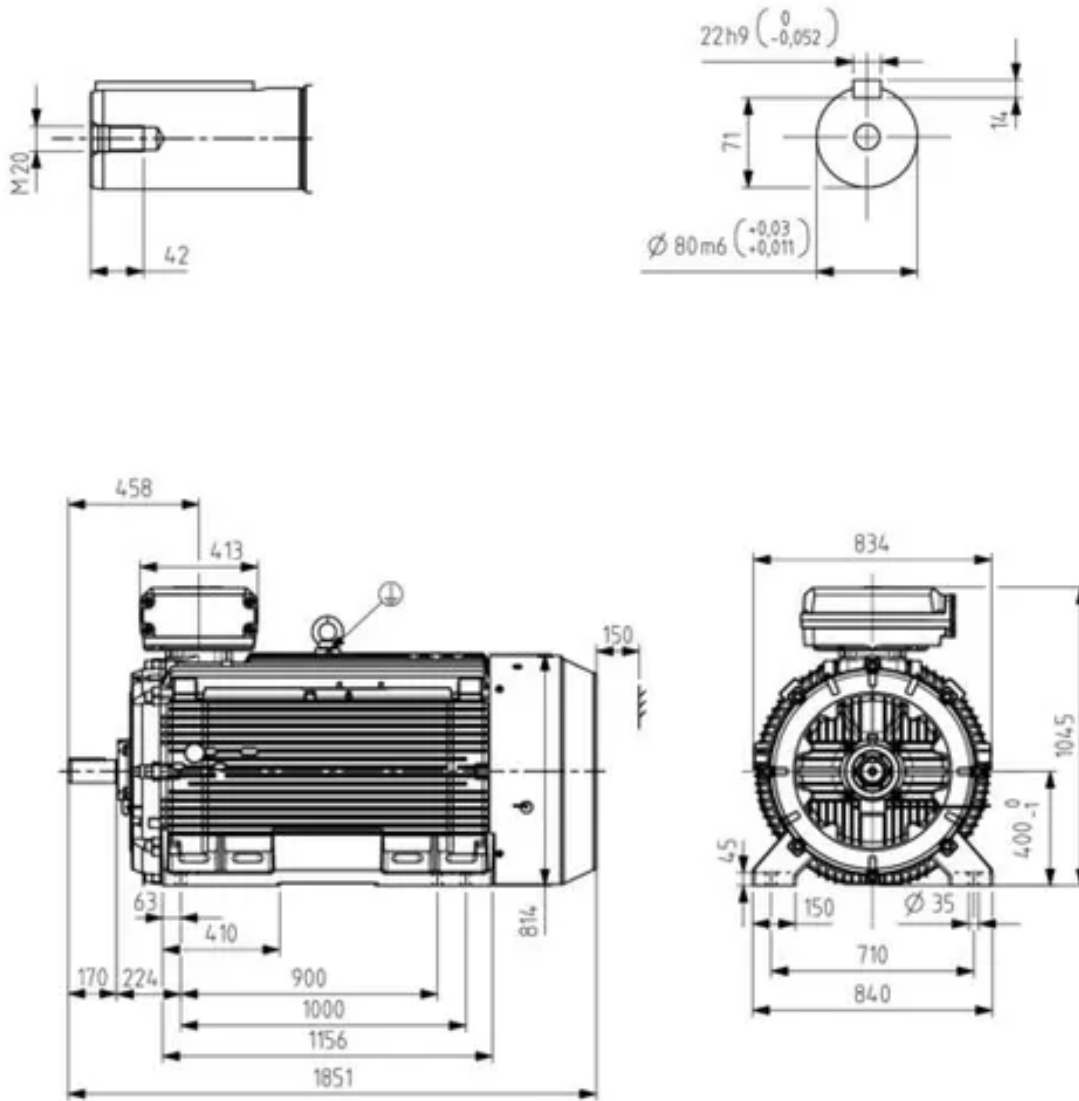
Resources

Product catalogue (Flipbook)

[Download from here](#)



TECHNICAL DRAWING



Additional information:

| | | |
|------------------------|--|---------------------------------|
| Dimension Print | Motor type: M3BP400 (G/M) L.2; B3, V5, V6, B6, B7, B8 | Document No: 3GZFS00040-10 B |
| | M3GRHP 400 L.2; B3, V6, B6, B7, B8 | |

Description:
STANDARD SQUIRREL CAGE MOTOR, TERMINAL BOX 750

| | | |
|--|--|---------------------------|
| Unit: Motors and Generators Date: 22-Jun-2020 | Issued by: Mykkänen, Riku Approved by: Härmänmaa, Arttu | Replaces: Replaced by: |
|--|--|---------------------------|

| | | |
|------------|---------------------|--|
| ABB | Customer Reference: | |
|------------|---------------------|--|