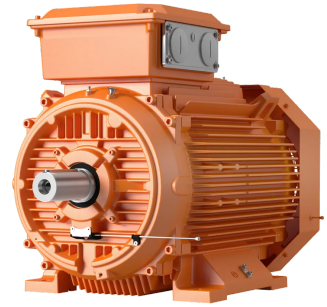


Product No: 3GBP352810-ADKM625

ABB IE3 CAST IRON MINING MOTOR 4P 500KW 400VD FOOT MOUNT B3 IP66 ORANGE 3GBP352810-ADKM625

FEATURES

- IE3 premium efficiency class according to IEC 60034-30-1; 2014
- Permanent grease lubrication
- 6 terminals for connection with cable lugs (not included)
- Copper stator winding
- Pressure die-cast aluminium rotor winding
- Closed key way, half-key balancing as standard
- Components cast from EN-GJL-200 and EN-GJL-250 grade material for extra strength
- Closable grease ejection port with handle located safely on side of motor



General Information

Brand	ABB
Product Type	Mining Motors

Technical Attributes

No. of Poles	4
Rated Frequency (Hz)	50
Rated Output Power (kW)	500
Rated Voltage (V)	415Δ/690Y
Speed (RPM)	1500

Physical Attributes

Colour	Orange
Mounting Type	B3 Foot Mount

Dimensions

Dimensions (mm)	110W x 140H x 169D
Weight (kg)	2211

Protection & Standards

Degree of Protection

IP66

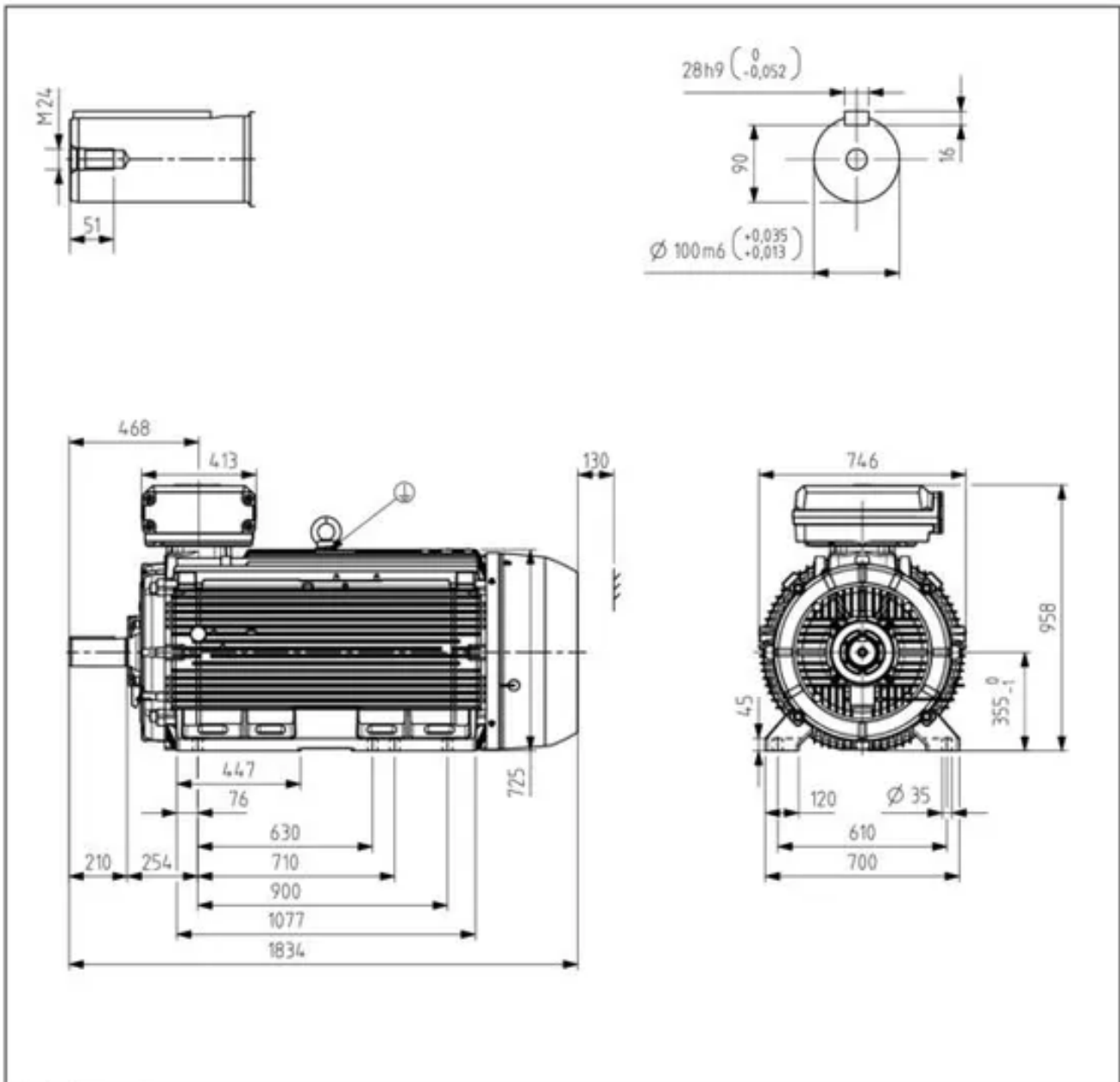
Resources

Product catalogue (Flipbook)

[Download from here](#)



TECHNICAL DRAWING



Additional information:

Dimension Print	Motor type: M3BP355 (G/K/L/M) LK_4-12; B3, V5, V6, B6, B7, B8	Document No: 3GZFS00035-3765 A
	M3GPHP 355LK_4-12; B3, V6, B6, B7, B8	

Description:
STANDARD SQUIRREL CAGE MOTOR WITH TERMINAL BOX 750

Unit: Motors and Generators Date: 27-May-2020	Issued by: Kujanpää, Santeri Approved by: Härmänmaa, Arttu	Replaces: Replaced by:
--	---	---------------------------

ABB	Customer Reference:	
------------	---------------------	--