

Product No: 3GBA311410-ADM

**ABB IE3 CAST IRON MOTOR 2P 200KW 400VD FOOT MOUNT B3
IP66 3GBA311410-ADM**



General Information

Brand	ABB
Product Type	General Performance Motors

Technical Attributes

Rated Power (kW)	200
Rated Voltage (V)	690Y/415D

Protection & Standards

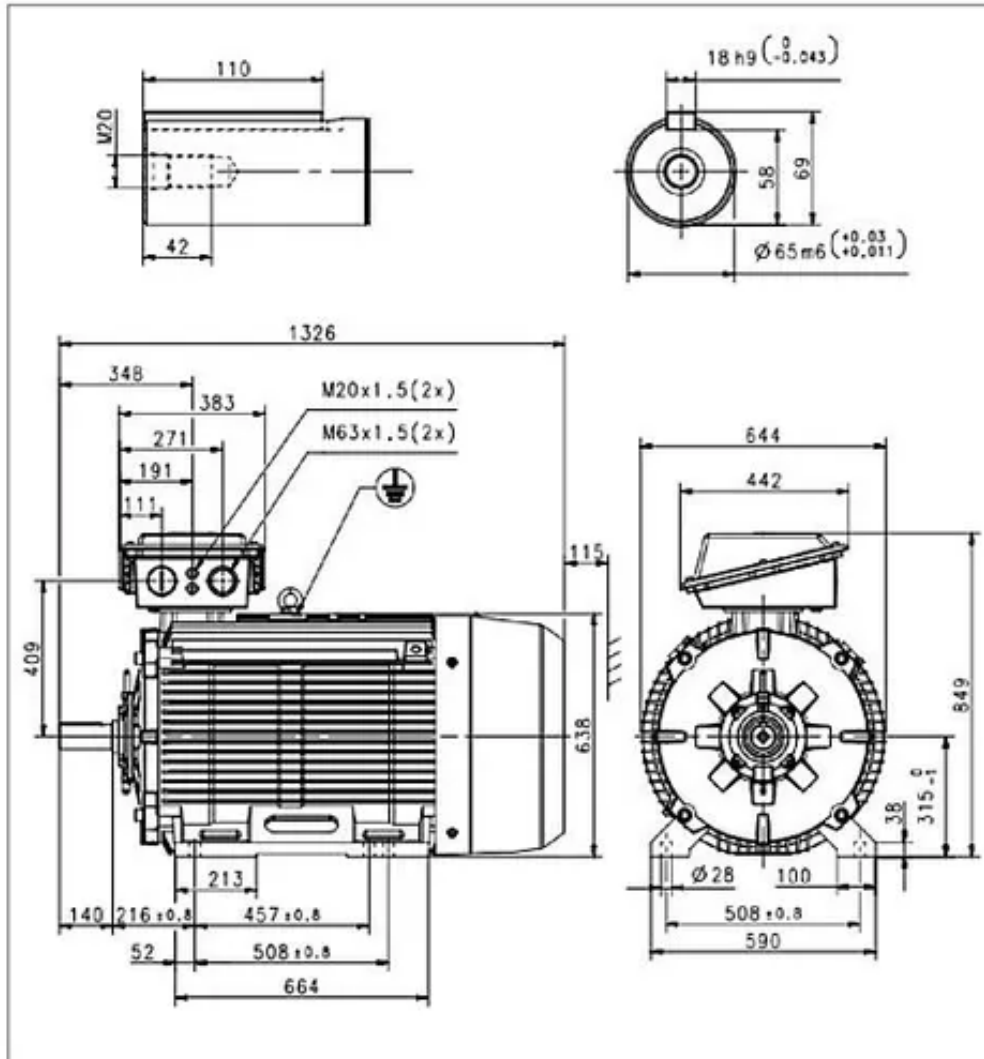
Degree of Protection	IP66
----------------------	------

Resources


Product catalogue (Flipbook)	Download from here
------------------------------	------------------------------------



TECHNICAL DRAWING



Additional information:

Dimension Print	Motor Type:	M2BA/BAX 315ML_2 B3 V5 V6 B6 B7 B8.	Document No:	3GZC500031-150 C 13 BA 315 A
	Description:	STANDARD SQUIRREL CAGE MOTOR		
Unit:	ABB Ltd., Motors and Generators	Issued by:	Bin Zou	Replaces:
Date:	2015-08-13	Approved by:	Anna Feng	Replaced by:
ABB Ltd.	Customer Reference:			ABB