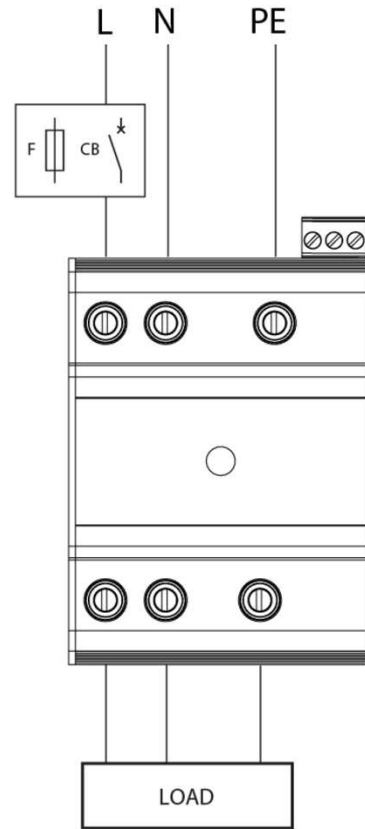


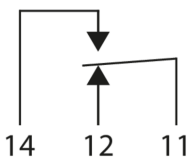
# SFD1-20-50-275-A



## Installation



## Alarm

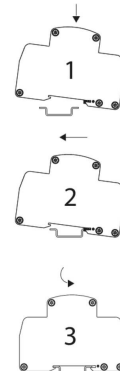


11-12 open	✓
11-14 closed	✓
11-12 closed	✗
11-14 open	✗

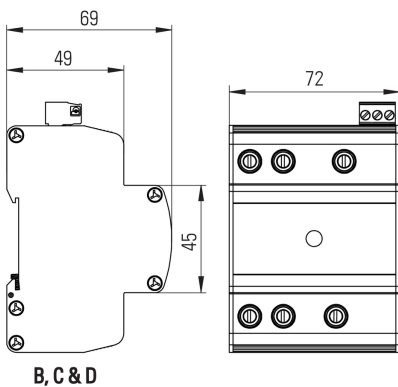
## Terminals

Terminal Type		
min Capacity	2.5 mm <sup>2</sup>	0.5 mm <sup>2</sup>
max Capacity	16 mm <sup>2</sup>	2.5 mm <sup>2</sup>
Torque	2 Nm	0.6 Nm
Wire Stripping Length		

## Mounting



## Dimensions



## Electrical Specifications

Connection type		Series
Modes of protection		L-N, L-PE, N-PE
Nominal voltage	$U_0$	230VAC
Short circuit withstand level	$I_{SSCR}$	25kA
Maximum backup fuse		20A
Earth leakage current	$I_{PE}$	<math>< 10\mu A</math>

## Mechanical Specifications

Minimum operating temperature		-40°C
Maximum operating temperature		70°C
Minimum operating humidity		5%
Maximum operating humidity		95%
Mounting method		TS35 DIN Rail
Environmental rating		IP20