

NEBULOSA

65006

www.aneta.se
www.aneta.no

SE: Installationen ska utföras av elektriker.
NO: Skal installeres av autorisert elektriker.
FI: Asennuksen saa tehdä vain valtuutettu sähköasentaja.
EN: Installation should be performed by a qualified electrician.

ANETA

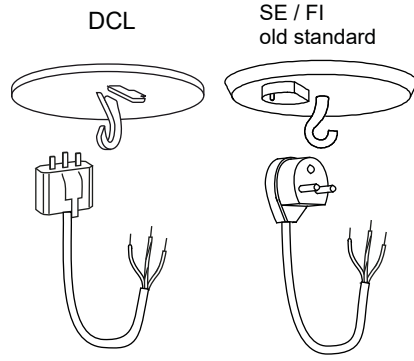
LIGHTING

LIGHTS FOR HOME AND WORK SINCE 1947

1.
alt. A

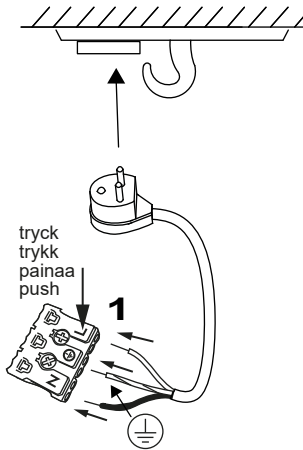
Lampputtag (medföljer ej)
Lampeuttak (ikke inkludert)
Valaisinpistorasia (ei sis.)
Luminaire socket (not included)

DCL SE / FI
old standard



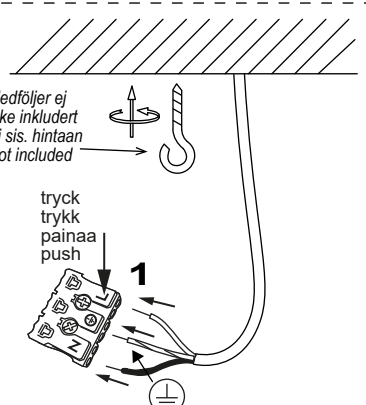
Lamppropp jordad (medföljer ej)
Lampestøpsel jordet (ikke inkludert)
Valaisinpistotulppa maadoitettu (ei sis.)
Lamp plug with earth (not included)

tryck trykk
painaa push



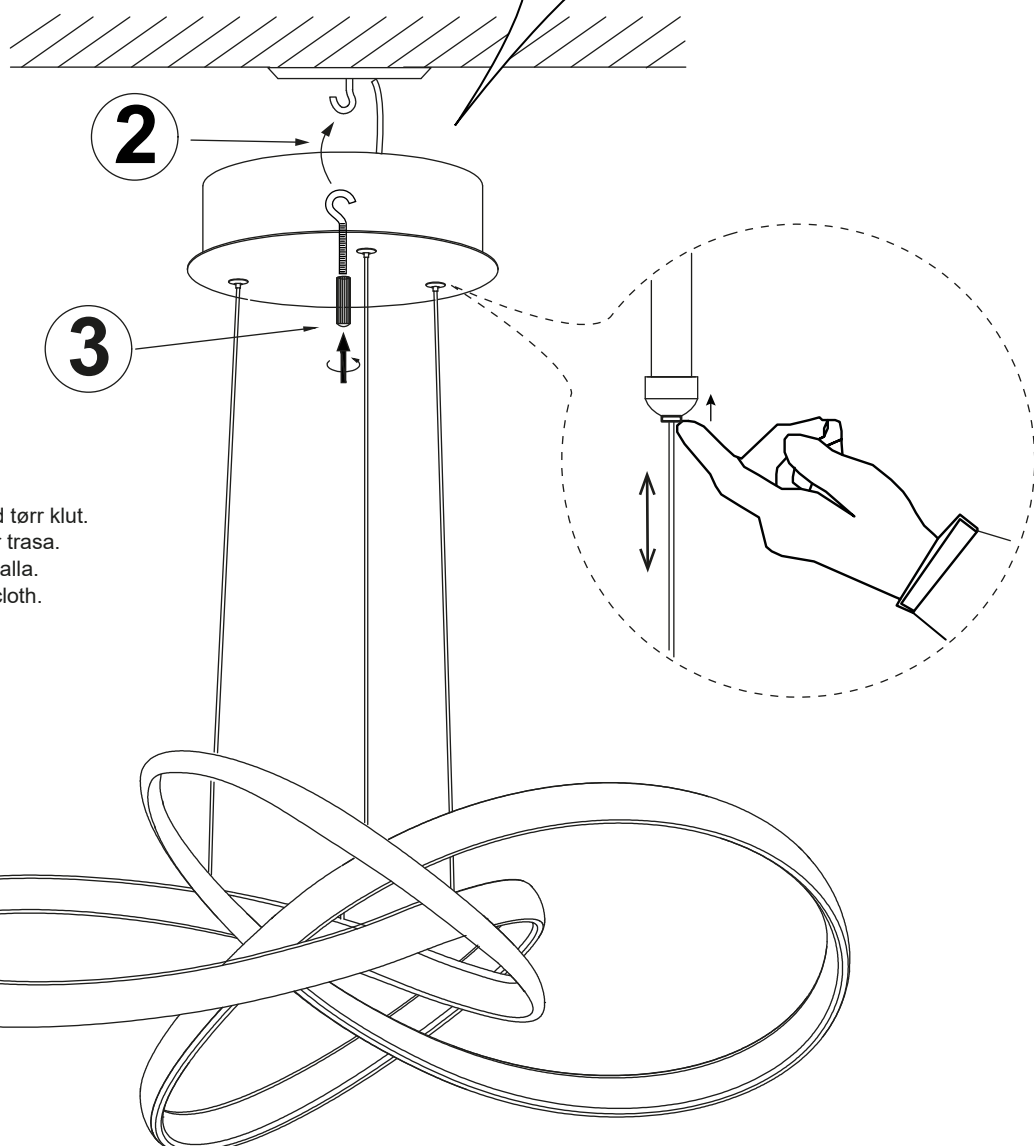
1.
alt. B

Inkoppling direkt
till strömkablar
Installasjon direkt
till strømledning
Kytetään suoraan
Installation directly
to supply cable



Medföljer ej
Ikke inkludert
Ei sis. hintaan
Not included

tryck trykk
painaa push



NO: Rengjøring: Tørkes av med tørr klut.
SE: Rengöring: Torkas med torr trasa.
FI: Puhdistus: Pyyhi kuivalla liinalla.
EN: Cleaning: Wipe with a dry cloth.

NEBULOSA

65006



NO: Dette produktet inneholder en lyskilde med energieffektivitetsklasse D.

Diodelyskilden i armaturen er ikke utskiftbar, når lyskildens levetid er slutt skal hele armaturen byttes. 50 000 tim ≈ 20 år (6 tim/dag)

SE: Denna produkt innehåller en ljuskälla med energieffektivitetsklass D

Lysdioden i armaturen är inte utbytbar, när ljuskällans livstid är slut ska hela armaturen bytas. 50 000 tim ≈ 20 år (6 tim/dag)

FI: Tämä tuote sisältää valonlähteen, jonka energiatehokkuusluokka on D.

Valaisimen valolähde ei ole vaihdettavissa. Kun valonlähteen elinkaari on loppu niin koko valaisin on vaihdettava. 50 000 tuntia ≈ 20 vuotta (6 t/päivä)

EN: This product contains a light source of energy efficiency class D.

The diode lamp of this luminaire is not replaceable; when the light source reaches its end of life the whole luminaire shall be replaced.
50 000 h ≈ 20 years (6 h/day)

Light Source:

Light Source:

Lighting technology used: LED
Mains or non-mains: non-mains
Directional or non-directional: non-directional
Connected L.S.: no
Color-tuneable: no
Envelope: no
High luminance: no
Anti-glare shield: no
Dimmable: yes
Energy consumption in on-mode: ... 48 kWh / 1000 h
Energy efficiency class (A-G): D
Useful luminous flux:..... 6910 lm
CCT colour temperature:..... 3000 K
On-mode power: 48 W
Stand-by power: 0 W
Networked standby power: 0 W
CRI: ≥ 80
R9 color rendering index: 0
Chromaticity coordinates: x:0.430, y:0.402
SDCM: < 6
Lifetime L70B50: 50 000 hours
Lumen maintenance factor: 0,96
Survival factor: 0,90

* The luminous flux stated here is the value for the light source itself in accordance with Regulation (EU) 2019/2015. On the box the luminous flux for the lighting fitting is stated, where the light is partly absorbed by glass/glare shield/shade and parts of the fitting, why it is lower than for the light source.