

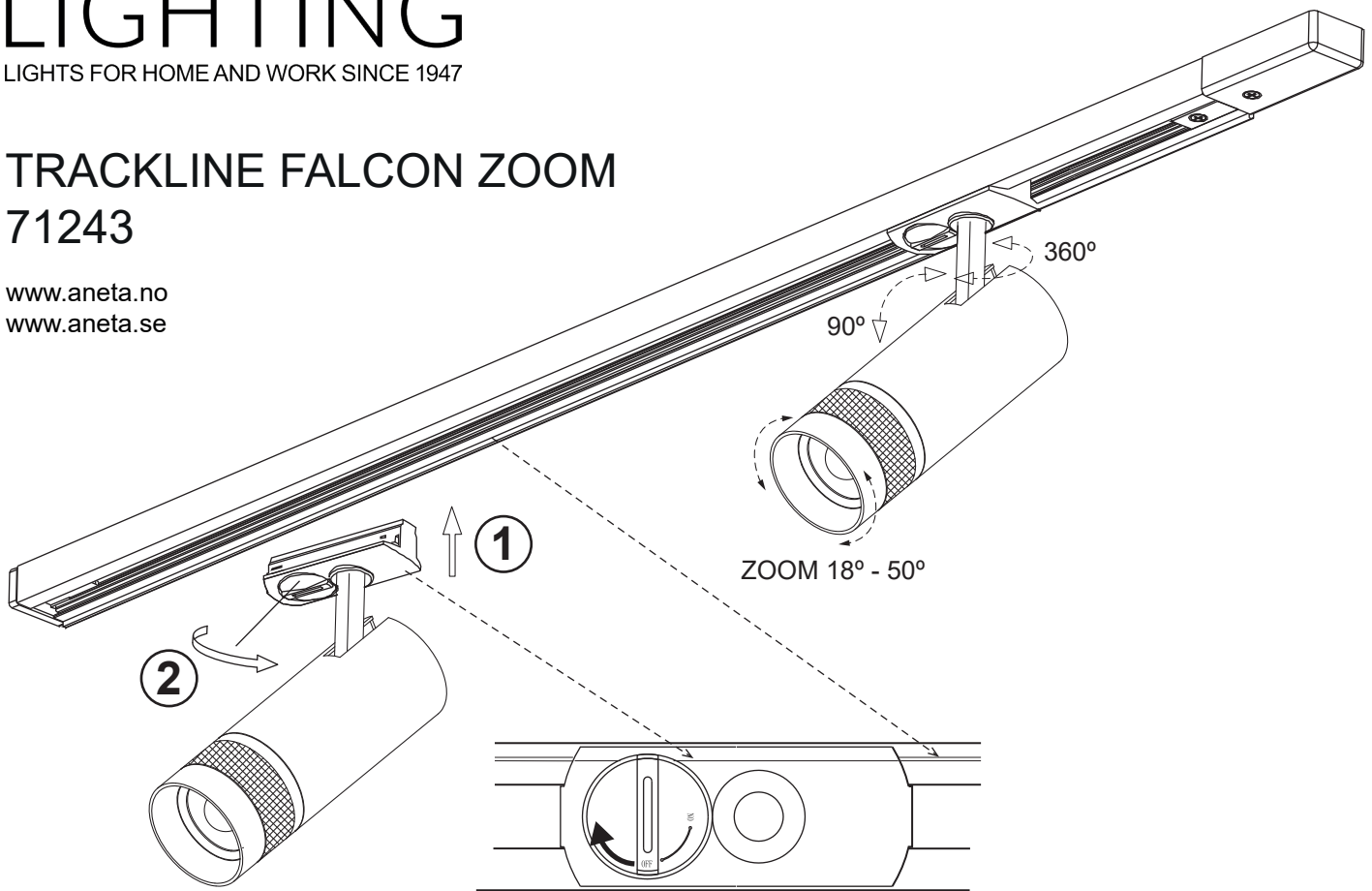
# ANETA LIGHTING

LIGHTS FOR HOME AND WORK SINCE 1947

## TRACKLINE FALCON ZOOM 71243

www.aneta.no

www.aneta.se



NO: Dette produktet inneholder en lyskilde med energieffektivitetsklasse F.

Diodelyskilden i armaturen er ikke utskiftbar, når lyskildens levetid er slutt skal hele armaturen byttes. L70 levetid 80 000 timer ≈ 27 år (8 timer/dag)

SE: Denna produkt innehåller en ljuskälla med energieffektivitetsklass F.

Lysdioden i armaturen är inte utbytbar, när ljuskällans livstid är slut ska hela armaturen bytas. L70 livstid 80 000 tim ≈ 27 år (8 tim/dag)

FI: Tämä tuote sisältää valonlähteen, jonka energiatehokkuusluokka on F.

Valaisimen valolähde ei ole vaihdettavissa. Kun valolähteen elinkaari on loppu niin koko valaisin on vaihdettava.

L70 lifetime 80 000 tuntia ≈ 27 vuotta (8 t/päivä)

EN: This product contains a light source of energy efficiency class F.

The diode lamp of this luminaire is not replaceable; when the light source reaches its end of life the whole luminaire shall be replaced.

L70 lifetime 80 000 h ≈ 27 years (8 h/day)

Light Source :

Luminus Devices CXM-9-27-90-36-AC40-F5-2:

Lighting technology used: ..... LED

Mains or non-mains: ..... non-mains

Directional or non-directional: ..... directional

Connected L.S.: ..... no

Color-tuneable: ..... no

Envelope: ..... no

High luminance: ..... no

Anti-glare shield: ..... no

Dimmable: ..... yes

Energy consumption in on-mode: ..... 12\*\* kWh / 1000 h

Energy efficiency class (A-G): ..... F

Useful luminous flux: ..... 1500 lm

CCT colour temperature: ..... 2700 K

On-mode power: ..... 12 W\*\*

Stand-by power: ..... 0 W

Networked standby power: ..... 0 W

CRI: ..... ≥ 90

R9 color rendering index: ..... 50

Chromaticity coordinates: ..... x:0.458, y:0.410

Lumen maintenance factor: ..... 0,98

Survival factor: ..... 1

Measures: ..... 14x14x2 mm

\* The luminous flux stated here is the value for the light source itself in accordance with Regulation (EU) 2019/2015. On the box the luminous flux for the lighting fitting is stated, where the light is partly absorbed by glass/glare shield/shade and parts of the fitting, why it is lower than for the light source.

\*\* The power is adjusted down to 8W by the driver for this product.