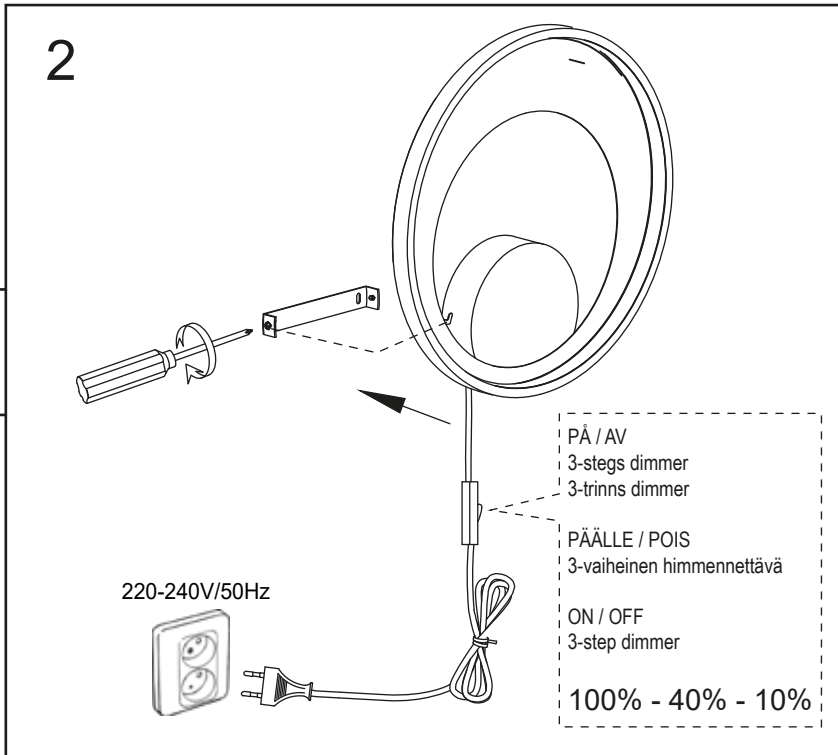
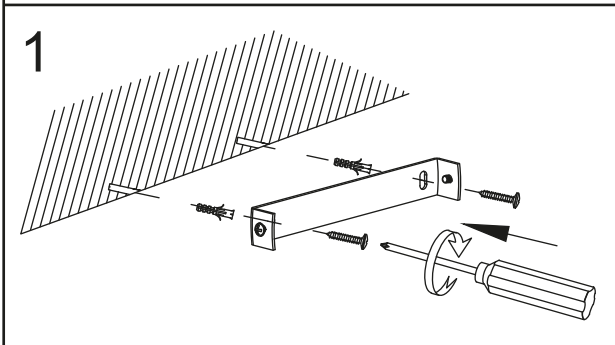
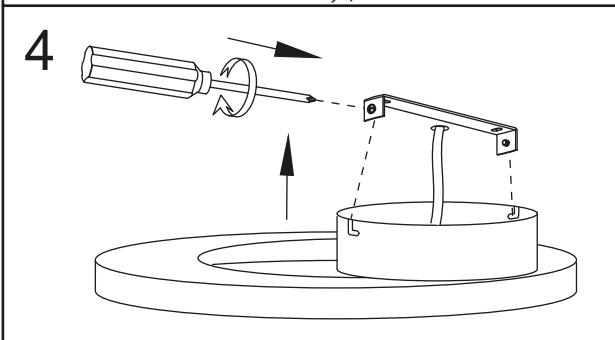
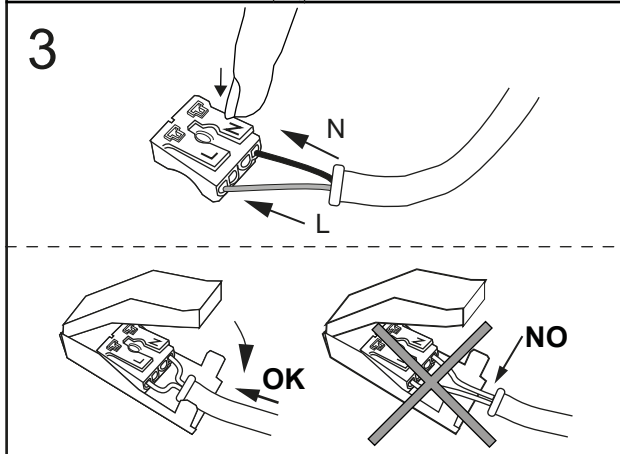
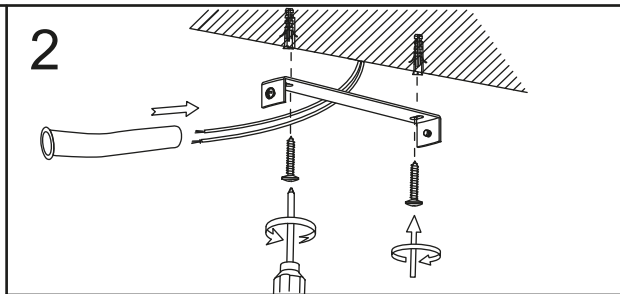
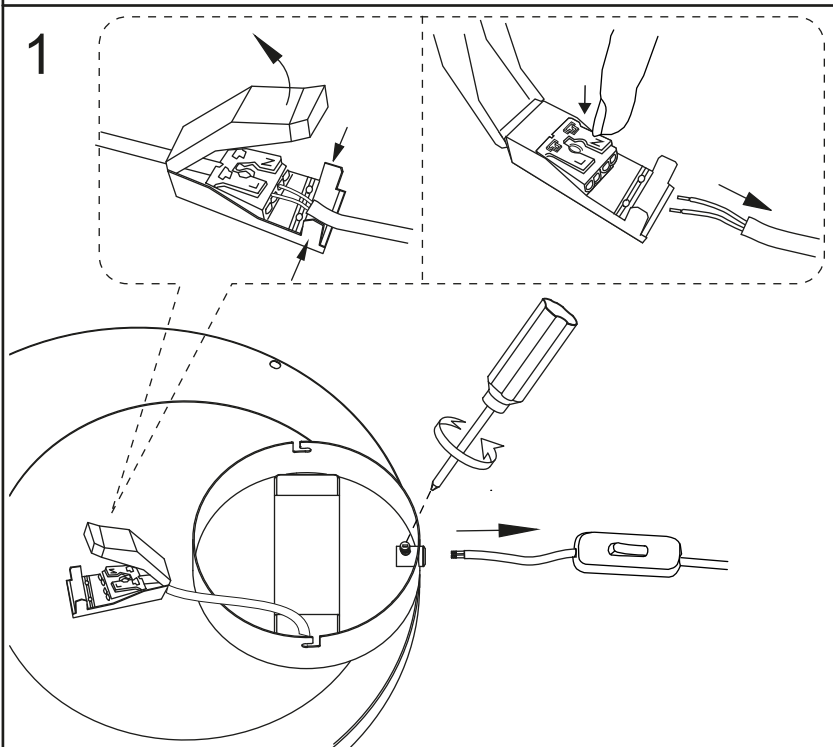


CARAT 16103

Vägglampa Seinävalaisin
Vegglampe Wall lamp



Plafond Plafondi Ceiling lamp



PÄ / AV
3-steps dimmer
3-trinns dimmer

PÄÄLLE / POIS
3-vaiheinen
himmennettävä

ON / OFF
3-step dimmer

100% - 40% - 10%

ANETA
LIGHTING
LIGHTS FOR HOME AND WORK SINCE 1947

CARAT 16103



SE: Denna produkt innehåller en ljuskälla med energieffektivitetsklass F.
Diodelyskilden kan skiftes som reservdel. 50000 tim ≈ 20 år (6 tim/dag)

NO: Dette produktet inneholder en lyskilde med energieffektivitetsklasse F.
Lysdioden är utbyttbar som reservdel. 50000 tim ≈ 20 år (6 tim/dag)

FI: Tämä tuote sisältää valonlähteen, joiden energiatehokkuusluokka on F.
LED valolähde vaihdetta vissa, löytyy varaosana. 50 000 tuntia ≈ 20 vuotta (6 t/päivä)

EN: This product contains one light source of energy efficiency class F.
The LED-chip is exchangeable as a spare part. 50000 h ≈ 20 years (6 h/day)

Light Source (1 pce 8,3W):

Lighting technology used: LED
Mains or non-mains: non-mains
Directional or non-directional: non-directional
Connected L.S.: no
Color-tuneable: no
Envelope: no
High luminance: no
Anti-glare shield: no
Dimmable: yes
Energy consumption in on-mode: ... 15 kWh / 1000 h
Energy efficiency class (A-G): F
Useful luminous flux:..... 1820 lm
CCT colour temperature:..... 3000 K
On-mode power: 15 W
Stand-by power: 0 W
Networked standby power: 0 W
CRI: ≥ 80
R9 color rendering index: 6
Chromaticity coordinates: x:0.463, y:0.420
SDCM: < 6
Lifetime $L_{70} B_{50}$: 50 000 hours
Lumen maintenance factor: 0,96
Survival factor: 0,90
Measures LxBxH: mm
Supply current: 700 mA

* The luminous flux stated here is the value for the light source itself in accordance with Regulation (EU) 2019/2015. On the box the luminous flux for the lighting fitting is stated, where the light is partly absorbed by glass/glare shield/shade and parts of the fitting, why it is lower than for the light source.