

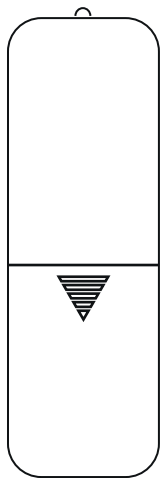
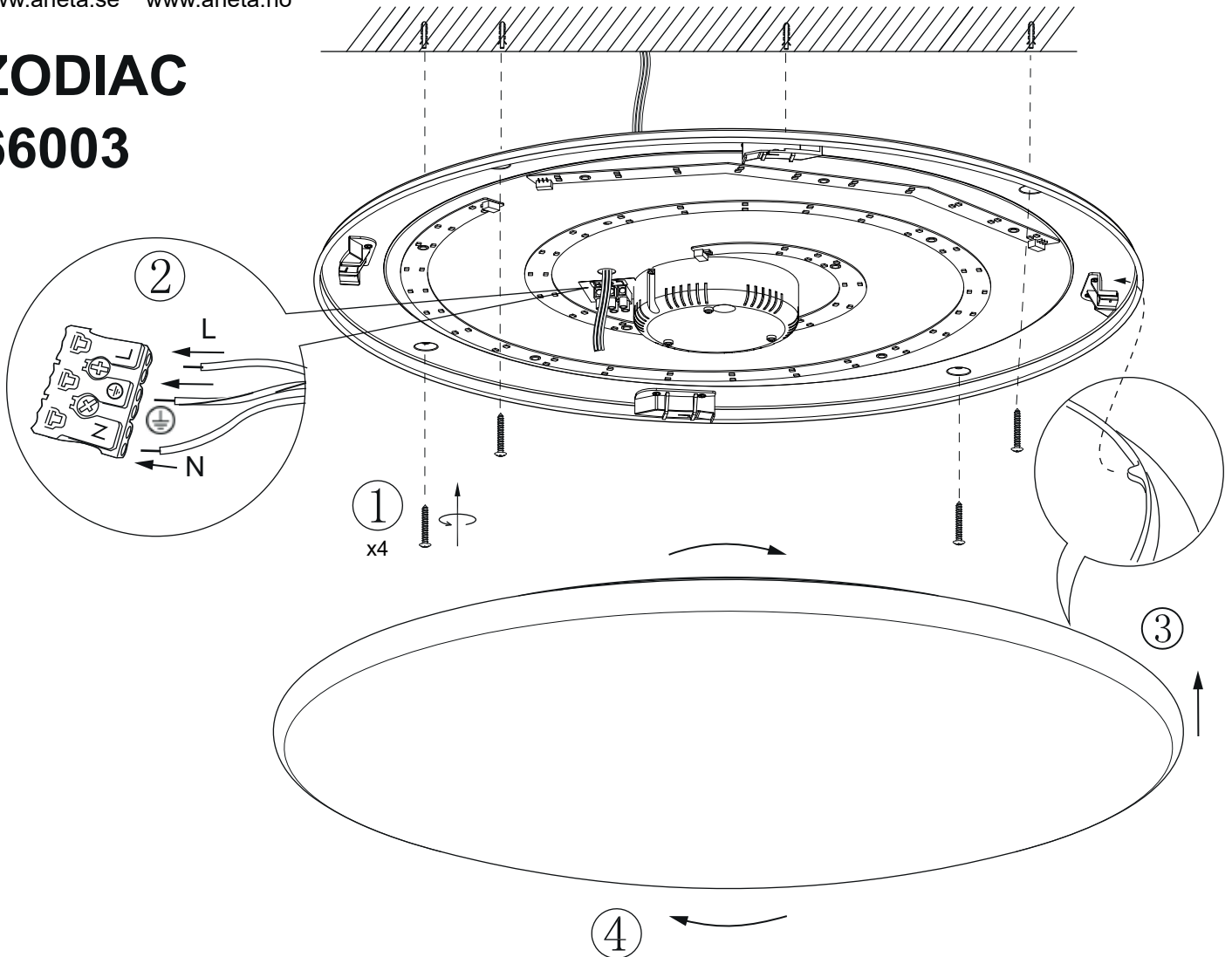
# ANETA LIGHTING

LIGHTS FOR HOME AND WORK SINCE 1947

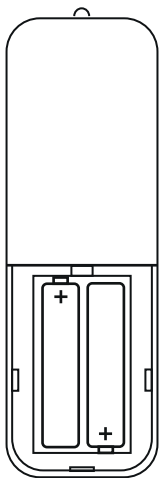
www.aneta.se www.aneta.no

## ZODIAC 66003

SE: Installationen ska utföras av person med god elkunskap.  
 NO: Skal installeres av autorisert elektriker.  
 FI: Asennuksen saa tehdä vain valtuutettu sähköasentaja.  
 EN: Installation should be performed by a qualified electrician.

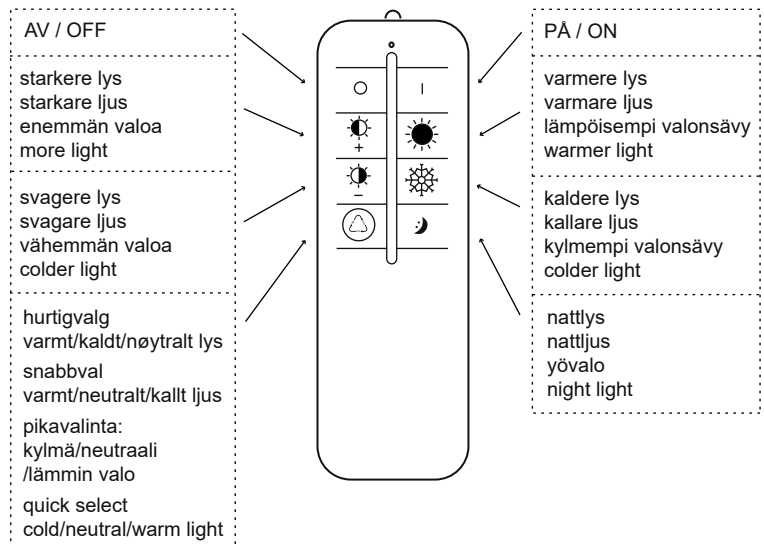


5



6

2 x AAA 1,5V  
 ikke inkludert  
 ingår ej  
 ei sisällää  
 not included



ZODIAC  
66003

**ANETA**  
**LIGHTING**  
LIGHTS FOR HOME AND WORK SINCE 1947

SE: Denna produkt innehåller en ljuskälla med energieffektivitetsklass E  
Inbyggd LED-ljuskälla som är utbytbar som reservdel.  
Livstid 30000 timmar motsvarar c.a 14 år vid genomsnittlig användning 6 timmar per dag.

NO: Dette produktet inneholder en lyskilde med energieffektivitetsklasse E.  
Integrert diodelyskilde som kan skiftes som reservdel.  
Levetid 30000 timer tilsvarer ca 14 år ved gjennomsnittlig bruk 6 timer pr dag

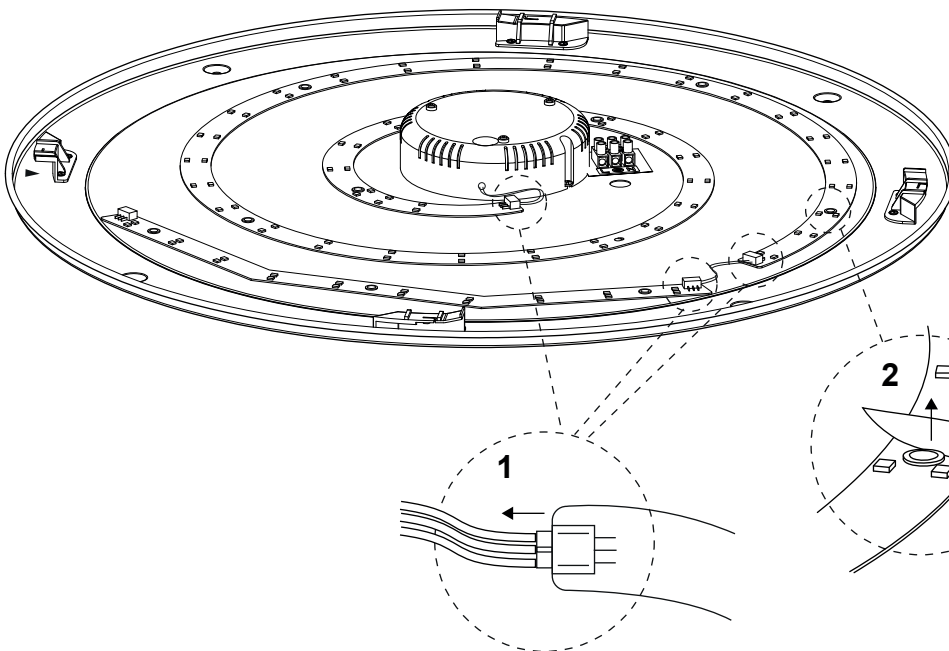
FI: Tämä tuote sisältää valonlähteen, jonka energiatehokkuusluokka on E  
Integroitu Led valolähde, voidaan vaihtaa varaosalla.  
Käyttöaika 30000 h, vastaa noin 14 vuotta jos päivittäinen käyttöaika 6 tuntia.

EN: This product contains a light source of energy efficiency class E.  
Integrated LED light source that can be replaced as spare part. Lifetime 30000 h is equivalent to about 14 years at an average use of 6 hours per day.

Light Source :

Lighting technology used: ..... LED  
Mains or non-mains: ..... non-mains  
Directional or non-directional: ..... non-directional  
Connected L.S.: ..... no  
Color-tuneable: ..... yes  
Envelope: ..... no  
High luminance: ..... no  
Anti-glare shield: ..... no  
Dimmable: ..... yes  
Energy consumption in on-mode: ..... 50kWh / 1000 h  
Energy efficiency class (A-G): ..... E  
Useful luminous flux: ..... 5300lm  
CCT colour temperature: ..... 3000-6500K  
On-mode power: ..... 50W  
Stand-by power: ..... <0.5W  
CRI: ..... >80  
R9 color rendering index: ..... 3  
Chromaticity coordinates: ..... x:0.440, y:0.403  
SDCM: ..... < 6  
Lifetime  $L_{50}$ : ..... 30 000 hours  
Lumen maintenance factor: ..... 0,96  
Survival factor: ..... 0,90  
Supply current: ..... 1.05A constant current

\* The luminous flux stated here is the value for the light source itself in accordance with Regulation (EU) 2019/2015. On the box the luminous flux for the lighting fitting is stated, where the light is partly absorbed by glass/glare shield/shade and parts of the fitting, why it is lower than for the light source.



SE: Byte av LED-modul  
NO: Bytte av LED-lyskilde  
FI: LED valonlähteen vaihto  
EN: Replacing LED light source