

ANETA LIGHTING

LIGHTS FOR HOME AND WORK SINCE 1947

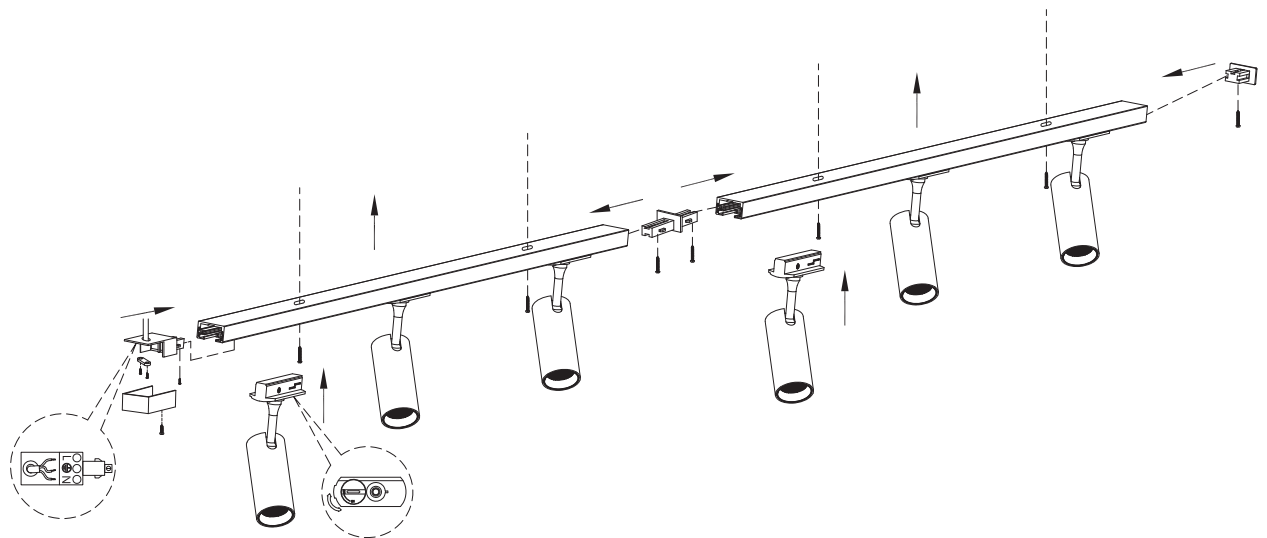
TRACKLINE SPARROW

71252

71253

www.aneta.no

www.aneta.se



NO: Dette produktet inneholder en lyskilde med energieffektivitetsklasse F.
Diodelyskilden i armaturen er ikke utskiftbar, når lyskildens levetid er slutt skal hele armaturen byttes. L70 levetid 50 000 timer ≈ 17 år (8 timer/dag)

SE: Denna produkt innehåller en ljuskälla med energieffektivitetsklass F.
Lysdioden i armaturen är inte utbytbar, när ljuskällans livstid är slut ska hela armaturen bytas. L70 livstid 50 000 tim ≈ 17 år (8 tim/dag)

FI: Tämä tuote sisältää valonlähteen, jonka energiatehokkuusluokka on F.
Valaisimen valolähde ei ole vaihdettavissa. Kun valolähteen elinkaari on loppu niin koko valaisin on vaihdettava.
L70 lifetime 50 000 tuntia ≈ 17 vuotta (8 t/päivä)

EN: This product contains a light source of energy efficiency class F.
The diode lamp of this luminaire is not replaceable; when the light source reaches its end of life the whole luminaire shall be replaced.
L70 lifetime 50 000 h ≈ 17 years (8 h/day)

Light Source :

Lighting technology used:	LED	On-mode power:	8,5 W
Mains or non-mains:	non-mains	Stand-by power:	0 W
Directional or non-directional:	directional	Networked standby power:	0 W
Connected L.S.:	no	CRI:	≥ 90
Color-tuneable:	no	R9 color rendering index:	47
Envelope:	no	Chromaticity coordinates:	x:0,4613, y:0,4218
High luminance:	no	Lumen maintenance factor:	0,98
Anti-glare shield:	no	Survival factor:	1
Dimmable:	yes	Measures:	39mm*39mm*3mm
Energy consumption in on-mode:	8,5 kWh / 1000 h		
Energy efficiency class (A-G):	F		
Useful luminous flux:	700 lm		
CCT colour temperature:	2700 K		

* The luminous flux stated here is the value for the light source itself in accordance with Regulation (EU) 2019/2015. On the box the luminous flux for the lighting fitting is stated, where the light is partly absorbed by glass/glare shield/shade and parts of the fitting, why it is lower than for the light source.