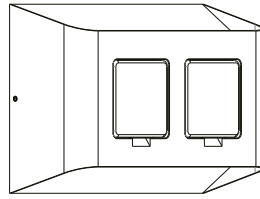


SØGNE socket

71202

www.aneta.no

www.aneta.se

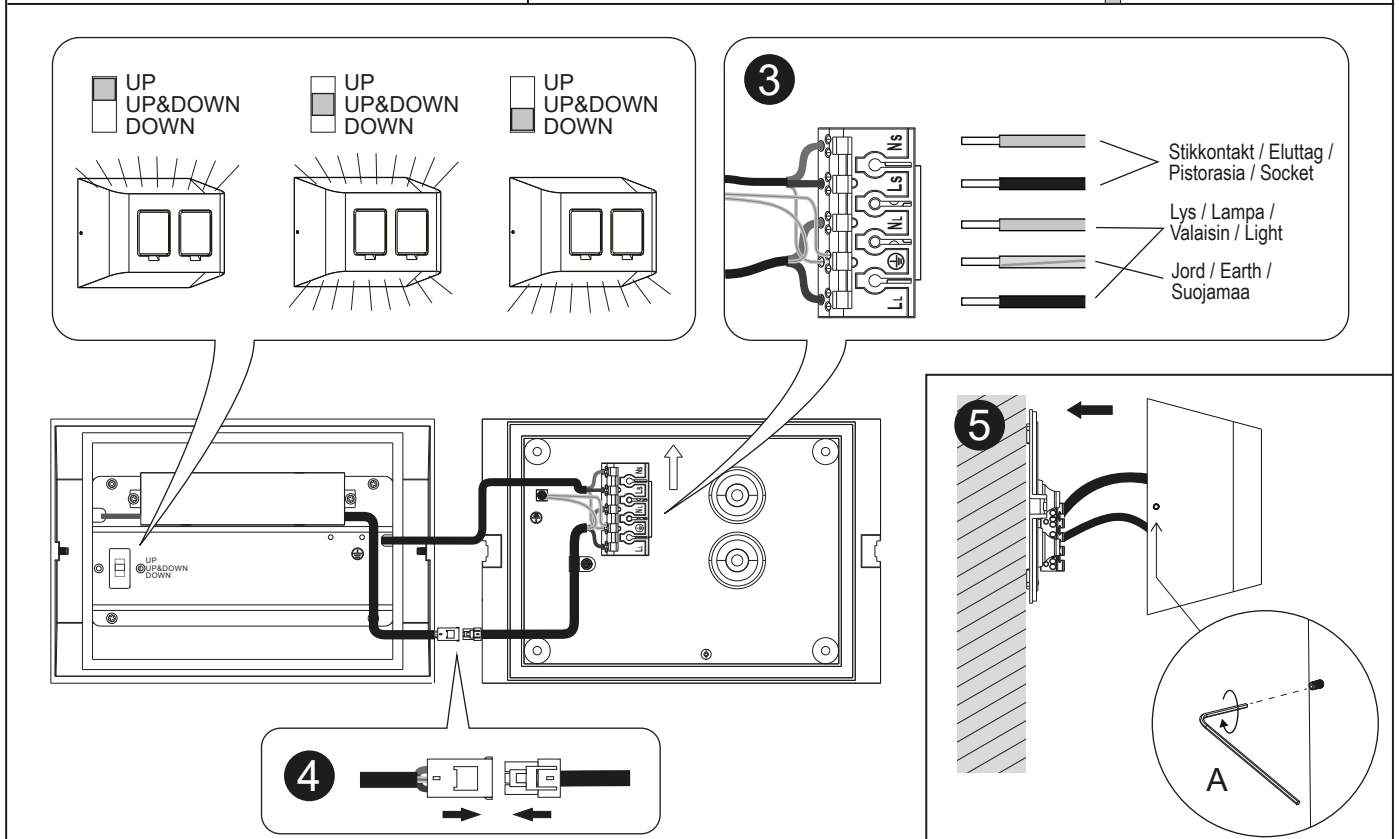
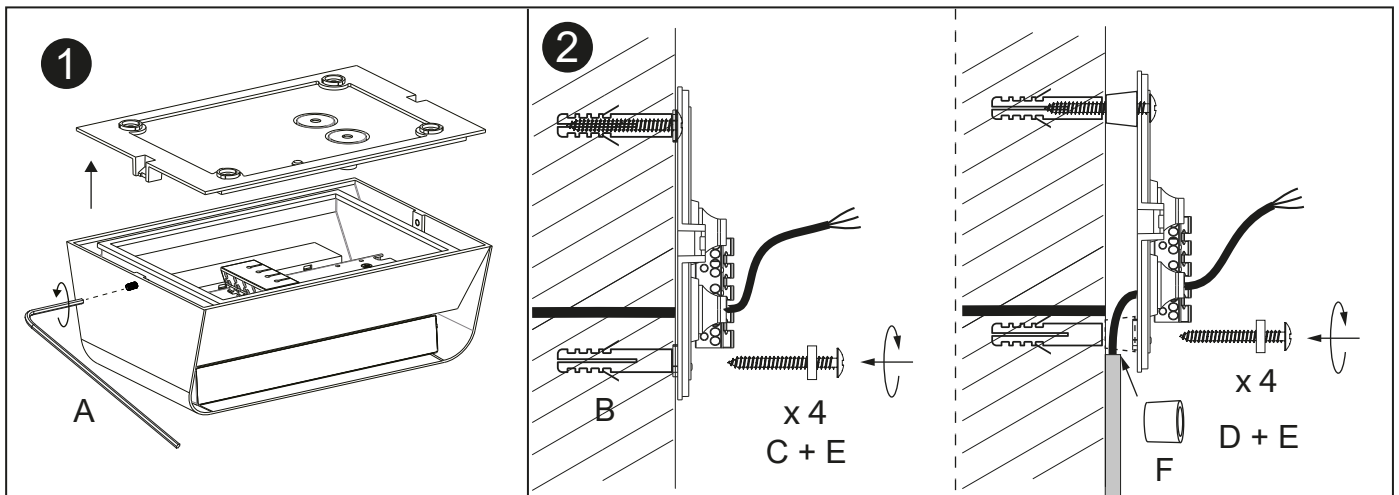
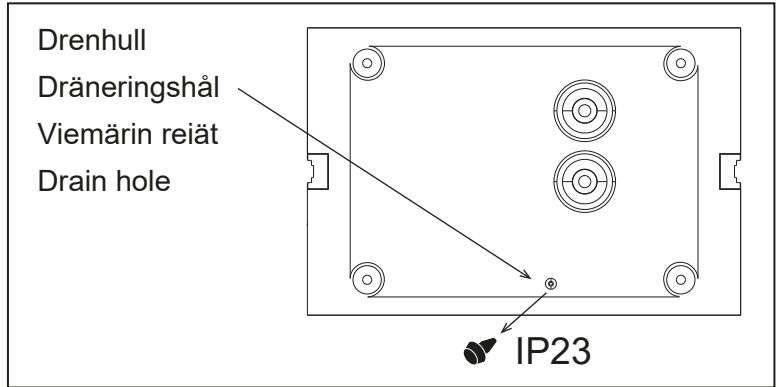


ANETA

LIGHTING

LIGHTS FOR HOME AND WORK SINCE 1947

A	B	C	D	E	F
1	x4	x4	x4	x4	x4



SØGNE socket

71202



NO: Dette produktet inneholder to lyskilder med energieffektivitetsklasse E.

LED-lyskilden og driveren i armaturen er ikke utskiftbare siden de er integrert i konstruksjonen. Når armaturens levetid er slutt skal den byttes ut og leveres til gjenvinning. 50000 timer ≈ 20 år (6 timer/dag)

SE: Denna produkt innehåller två ljuskällor med energieffektivitetsklass E.

LED-ljuskällan och drivdonet i armaturen är inte utbytbar, när ljuskällans livstid är slut ska hela armaturen bytas och lämnas till återvinning. 50000 tim ≈ 20 år (6 tim/dag)

FI: Tämä tuote sisältää kaksi valonlähdettä, joiden energiatehokkuusluokka on E.

Valaisimen LED-valonlähdettä sekä LED-virtalähdettä ei voi vaihtaa koska ne on integroitu rakenteeseen. Kun valaisin saavuttaa käyttöikänsä loppuun, se on korvattava uudella ja jätettävä ierrätettäväksi. 50 000 tuntia ≈ 20 vuotta (6 t/päivä)

EN: This product contains two light sources of energy efficiency class E.

The LED light source and the control gear in the luminaire are not replaceable as they are integrated in the construction. When the luminaire reaches the end of its lifetime it shall be replaced and left for recycling. 50000 h ≈ 20 years (6 h/day)

Light Source data (1 pce):

Lighting technology used:	LED	Beam angle:	120°
Mains or non-mains:	non-mains	CCT colour temperature:.....	3000 K
Directional or non-directional:	directional	On-mode power:	4,5 W
Connected L.S.:	no	Stand-by power:	N/A
Color-tuneable:	no	Networked standby power:	N/A
Envelope:	N/A	CRI:	≥ 80
High luminance:	no	R9 color rendering index:	3
Anti-glare shield:	no	sdcm:	< 6
Dimmable:	no	Chromaticity coordinates (X, Y):	0.440, 0.403
Energy consumption in on-mode: ..	.5 kWh / 1000 h	Lifetime L ₉₀ B ₁₀ :	50 000 hours
Energy efficiency class (A-G):	E	Lumen maintenance factor:	0.90
Useful luminous flux:.....	550 lm *	Survival factor:	0.96

* The luminous flux stated here is the value for the light source itself in accordance with Regulation (EU) 2019/2015. The luminous flux stated on the packing box is for the lighting fitting, where the light from the light source is partly absorbed by glass/glare shield/shade and parts of the fitting, and is therefore lower than for the light source.