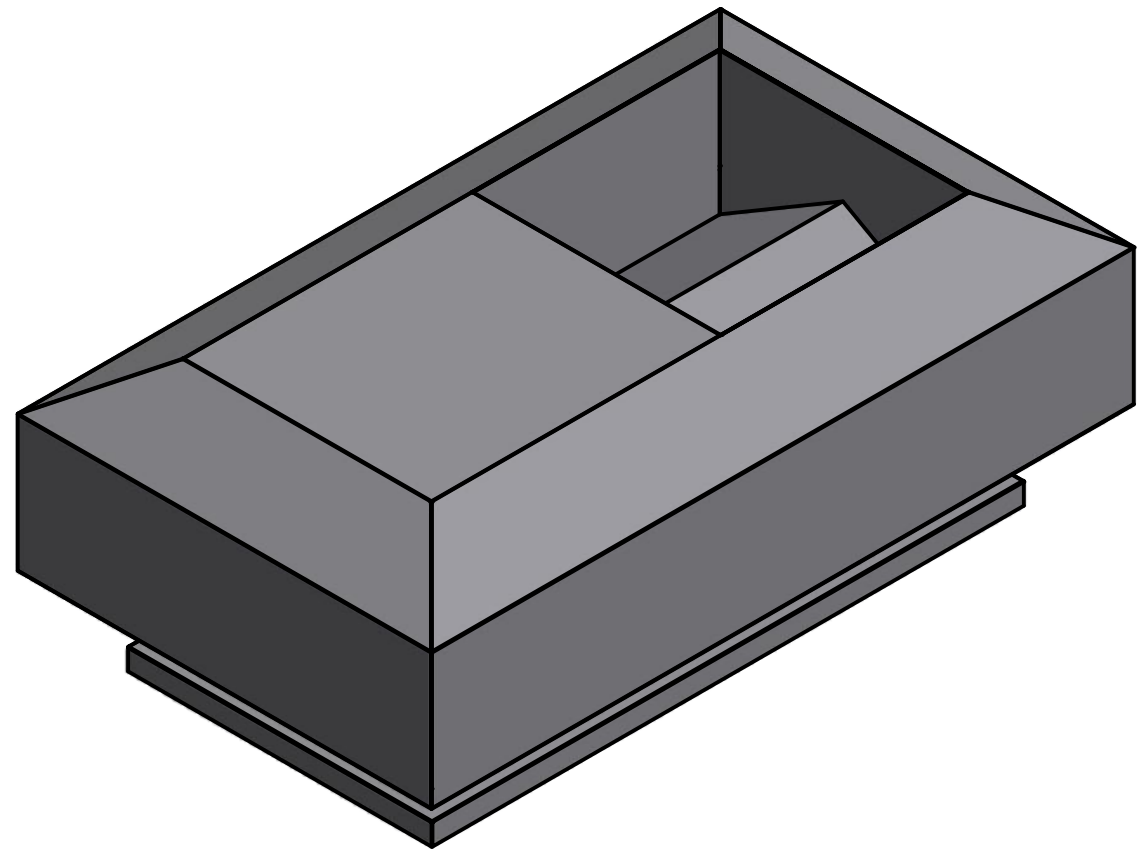
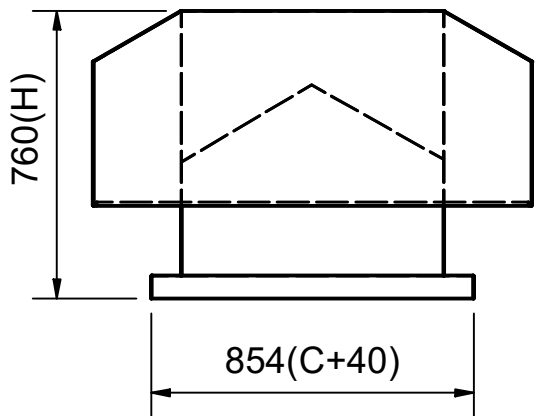
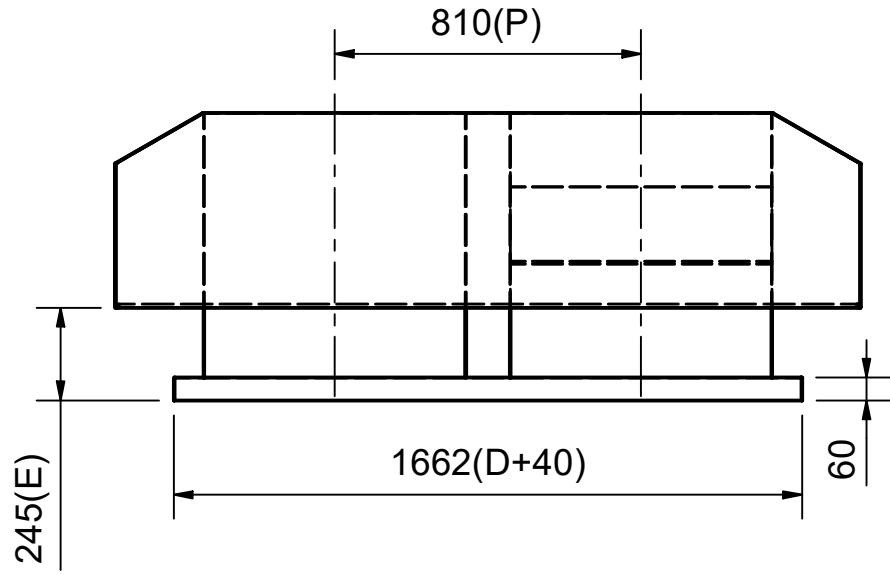


6 5 4 3 2 1

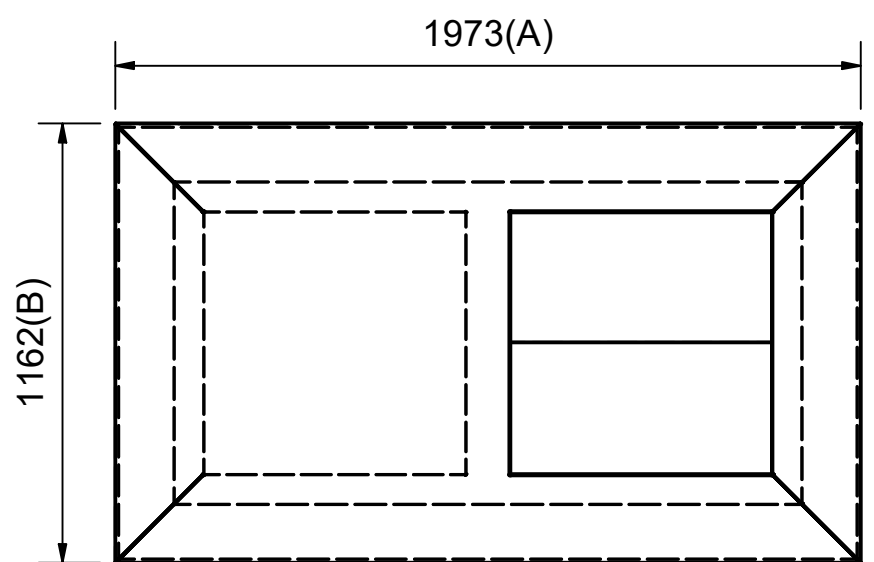
D

D



C

C



B

B

TAKHATTER FOR INNTAK OG AVKAST

Type	Kanal Dim	A	B	C	D	E	H	P	m3/h
0,5	<=250	902	562	320	660	150	460	340	1130
1	<=315	1078	646	424	852	160	500	425	1800
2	400-500	1530	915	612	1222	210	610	610	4590
2B	500-630	1973	1162	814	1622	245	760	810	9000
3	630-800	2322	1412	912	1822	260	940	910	13860
4	1000	2842	1720	1120	2242	310	1160	1120	22680
5	1300	3300	1904	1560	2960	310	1360	1400	30000
6	1500	3830	2230	1960	3360	310	1520	1600	40000

A

A

REVISION HISTORY			
REV	DESCRIPTION	DATE	APPROVED
A	Oppdatert mål	20.01.2020	Knut B



Material 0,90 mm DC01DX51D+Zn	Designed by VE-CON AS	Date 20.01.2014	Scale 1 : 20	Sheet size A3
Weight (Kg)	Title Takhatt for inntak og avkast			
REVISION A	Drawing number 600151		Part number KIA 2B	
Design by VE-CON				

6 5 4 3 2 1