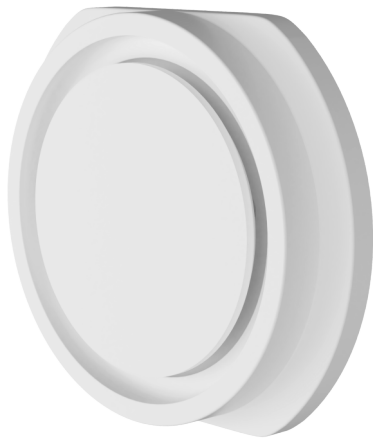


CIRCLE



PCIRCLE 100/125

ROUND DIFFUSER „COANDA“



reddot winner 2023

100/125 mm

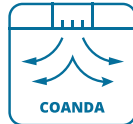
CONNECTION DIAMETER

2,4 kg

WEIGHT WITHOUT PACKAGING (NET)

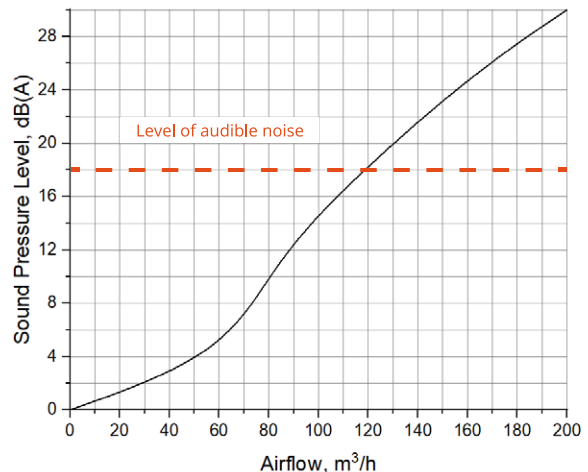
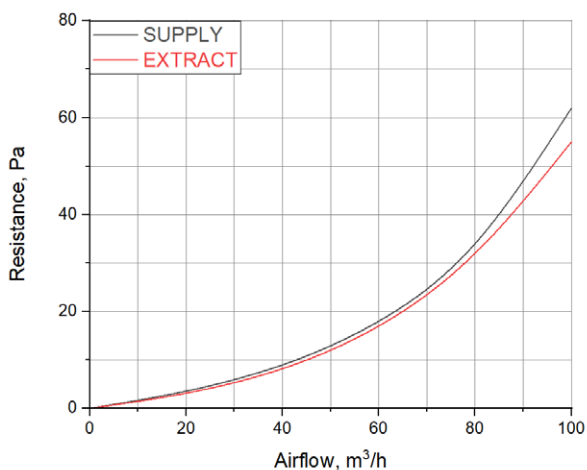
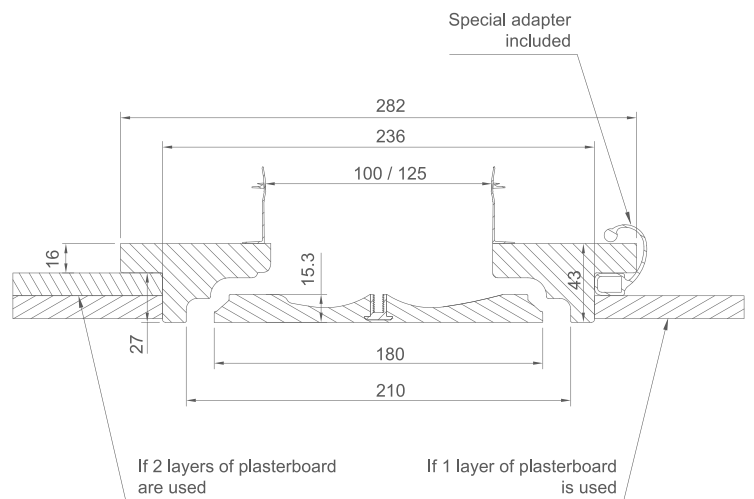
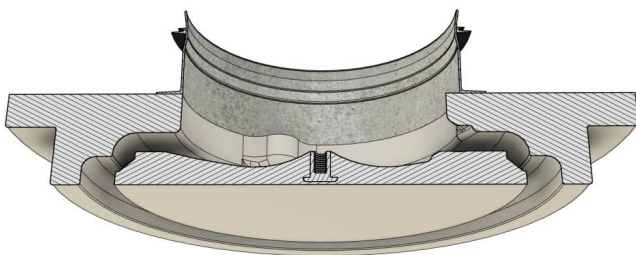
COANDA effect

SPECIAL PATENTED SHAPE



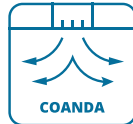
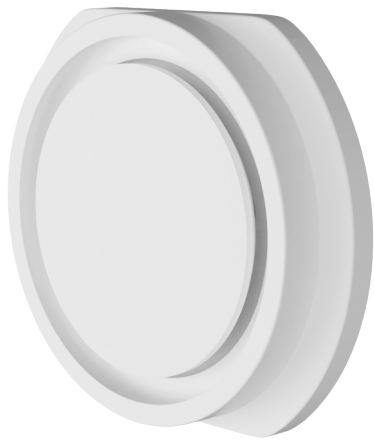
Order code for 100 ø:
PCIRCLE 100
Hole diameter

Order code for 125 ø:
PCIRCLE 125
Hole diameter



PCIRCLE 1601

ROUND DIFFUSER „COANDA“



reddot winner 2023

160 mm

CONNECTION DIAMETER

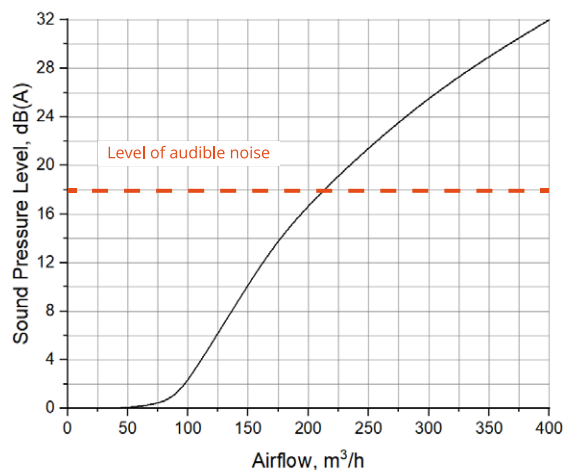
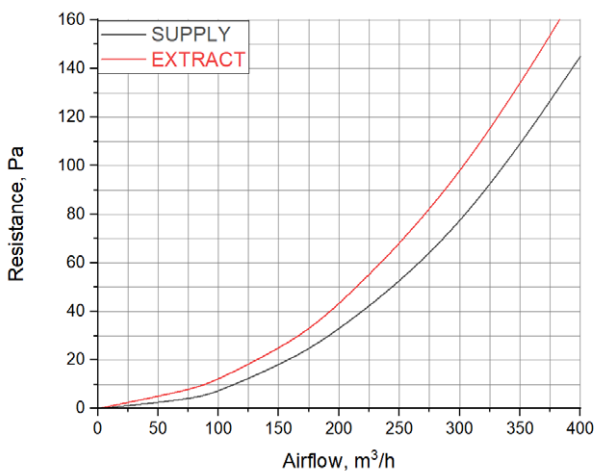
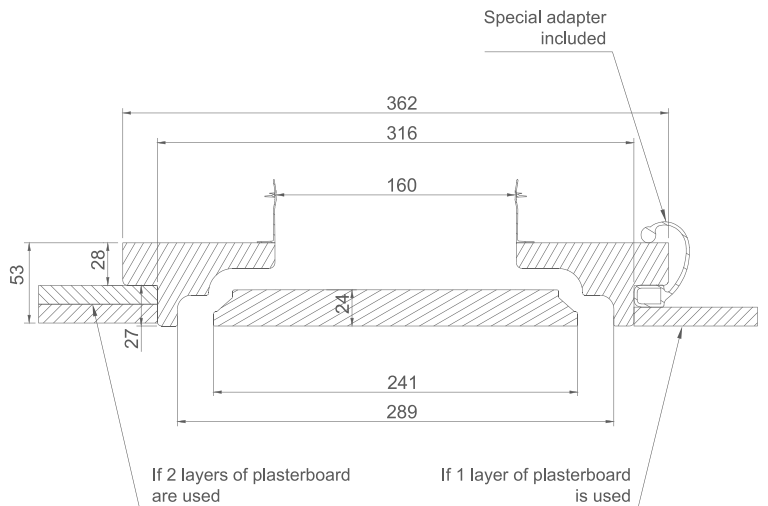
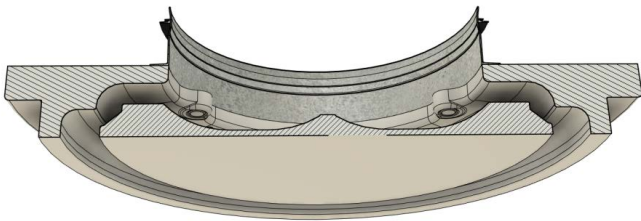
5 kg

WEIGHT WITHOUT PACKAGING (NET)

COANDA effect

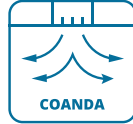
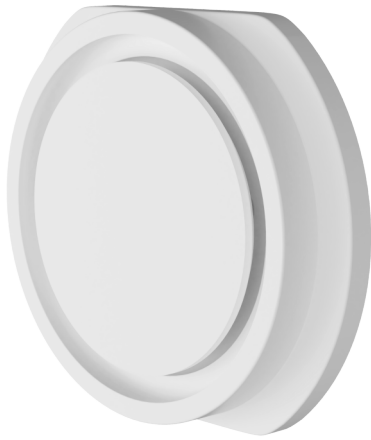
SPECIAL PATENTED SHAPE

Order code for 1601 ø:
PCIRCLE 1601
Hole diameter



PCIRCLE 2001

ROUND DIFFUSER „COANDA“



reddot winner 2023

200 mm

CONNECTION DIAMETER

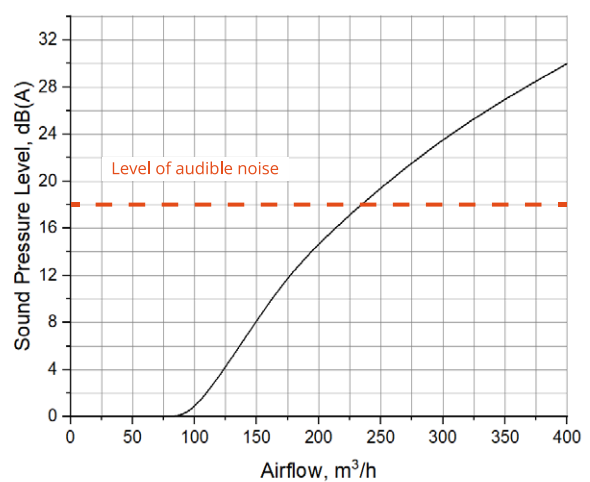
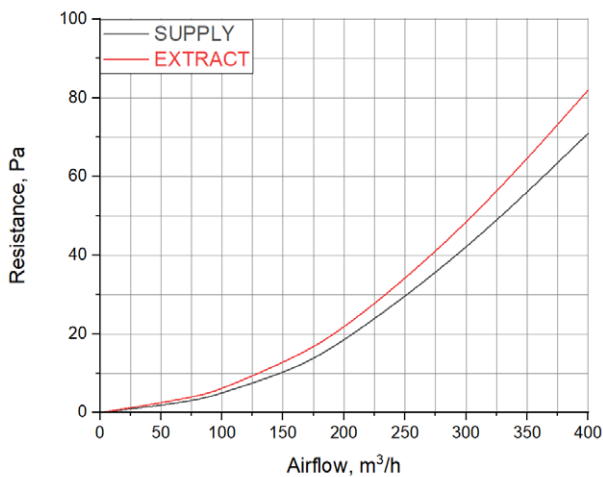
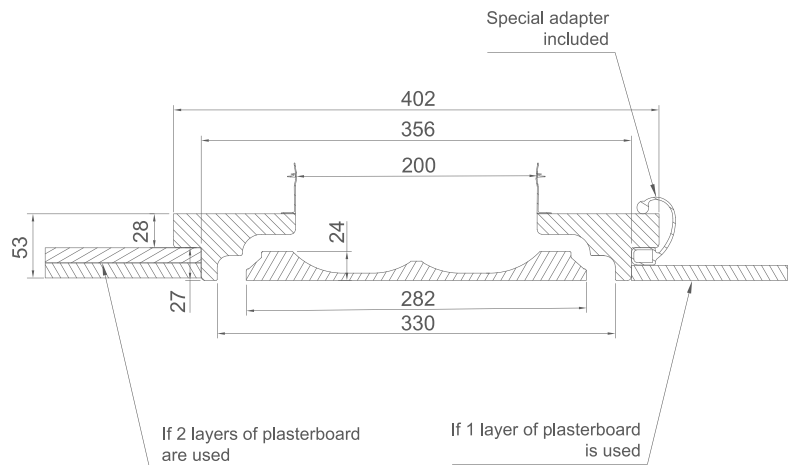
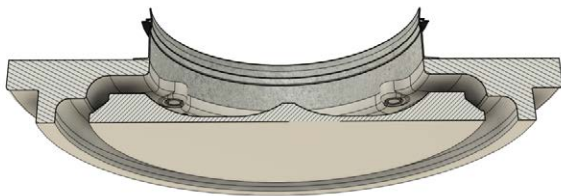
5,75 kg

WEIGHT WITHOUT PACKAGING (NET)

COANDA effect

SPECIAL PATENTED SHAPE

Order code for 2001 \varnothing :
PCIRCLE 2001
Hole diameter



CIRCLE, PCIRCLE & SQUARE SERIES

TECHNICAL PARAMETERS

SUPPLY

m ³ /h	dim (mm)	CIRCLE 100/125	SQUARE 100/125	P CIRCLE 125	P CIRCLE 160-1	P CIRCLE 160-2	P CIRCLE 200-1	P CIRCLE 200-2
	Ak (m ²)	0.00589	0.00589	0.00445	0.00939	0.0143	0.0109	0.0174
60	X (m)	2.9	2.3	0.9				
	Pt (Pa)	12	12	18				
	SPLA (dB (A))	<20	<20	<20				
80	X (m)	3.9	3.1	1.2	0.6		0.4	
	Pt (Pa)	22	21	34	4		3	
	SPLA (dB (A))	<20	<20	<20	<20		<20	
100	X (m)	4.9	3.8	1.5	0.7	0.5	0.5	0.4
	Pt (Pa)	34	32	62	7	3	5	2
	SPLA (dB (A))	<20	<20	<20	<20	<20	<20	<20
160	X (m)	7.8	6.2		1.2	0.9	0.8	0.7
	Pt (Pa)	84	85		20	5	11	3
	SPLA (dB (A))	21	21		<20	<20	<20	<20
200	X (m)	9.8	8		1.5	1.1	1	0.9
	Pt (Pa)	149	149		32	7	18	5
	SPLA (dB (A))	25	25		<20	<20	<20	<20
300	X (m)				2.2	1.6	1.5	1.3
	Pt (Pa)				72	17	41	10
	SPLA (dB (A))				26	<20	24	<20
400	X (m)				3	2.2	2.1	1.8
	Pt (Pa)				145	32	71	17
	SPLA (dB (A))				32	25	30	22
500	X (m)					2.7		2.2
	Pt (Pa)					52		27
	SPLA (dB (A))					30		27
600	X (m)					3.2		2.6
	Pt (Pa)					77		39
	SPLA (dB (A))					34		30
700	X (m)							3.1
	Pt (Pa)							54
	SPLA (dB (A))							34

X (m) - Throw distance (0,25 m/s)

Pt (Pa) - Pressure drop in the diffuser

SPLA (dB(A)) - Sound pressure level at 1m distance from the diffuser

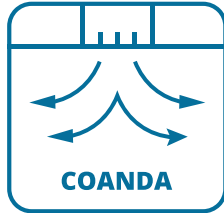
Ak (m²) - effective area

	Green	Yellow	Red
X (m)	When short throw distance is needed	When average throw distance is needed	When bigger throw distance is needed
Pa	Where low pressure drop is required	Where medium pressure drop is suitable	Where big pressure drop is suitable
SPLA	Rooms with no ambient noise (Bedroom)	Rooms with medium ambient noise (Lobby)	Rooms with ambient noise (Office room)

* IMPORTANT: This information is for guidance only, please consult your HVAC professional for you specific requirements.

EXHAUST

m ³ /h	dim (mm)	CIRCLE 100/125	SQUARE 100/125	P CIRCLE 125	P CIRCLE 160-1	P CIRCLE 160-2	P CIRCLE 200-1	P CIRCLE 200-2
	Ak (m ²)	0.00589	0.00589	0.00445	0.00939	0.0143	0.0109	0.0174
60	X (m)							
	Pt (Pa)	12	13	17				
	SPLA (dB (A))	<20	<20	<20				
80	X (m)							
	Pt (Pa)	23	24	32	8		4	
	SPLA (dB (A))	<20	<20	<20	<20		<20	
100	X (m)							
	Pt (Pa)	35	35	55	12	5	6	2
	SPLA (dB (A))	<20	<20	<20	<20	<20	<20	<20
160	X (m)							
	Pt (Pa)	87	90		27	12	14	6
	SPLA (dB (A))	21	21		<20	<20	<20	<20
200	X (m)							
	Pt (Pa)	158	161		42	18	21	9
	SPLA (dB (A))	25	25		<20	<20	<20	<20
300	X (m)							
	Pt (Pa)				93	38	47	21
	SPLA (dB (A))				26	<20	24	<20
400	X (m)							
	Pt (Pa)					64		35
	SPLA (dB (A))					25		22
500	X (m)							
	Pt (Pa)							53
	SPLA (dB (A))							27
600	X (m)							
	Pt (Pa)							84
	SPLA (dB (A))							30



The Ventmann Frameless CIRCLE vent diffusers is a highly versatile solution for every room type and interior design style. Its stylistic dexterity and ability to blend in perfectly with the environment make it our most popular model.

Like all Ventmann vent diffusers, every version of the CIRCLE model can be plastered together with the wall or the ceiling, and the same paint can be applied. This enables a new level of elegance and seamless integration for our ventilation systems.

Our standard CIRCLE model is available with a variety of connection nozzle sizes:

- the smallest connection nozzle diameters available are 100mm or 125mm.
- the mid-sized option for connection nozzle diameter is 160mm.
- and the largest connection nozzle diameters available are 200mm or 250mm.

The diffuser cap is supported by our new Click system. This system makes it even easier to put the cap in place correctly. It is also more environmentally friendly and has a higher operational temperature range than the magnets previously used.

These beautiful, sleek diffusers create a stunning effect, especially when multiple units are installed in a single room.

To see for yourself, and learn more about how these diffusers are installed, you can watch our product showcase video using the QR code below.

You can also find all of the technical information on our CIRCLE vent diffusers in our catalogue.

Ventmann – your choice of air elegance.



LINE / PLINE



CIRCLE / PCIRCLE



SQUARE



ART



Installation:
video instructions
 YouTube



Download a digital
version of the catalog
 Download