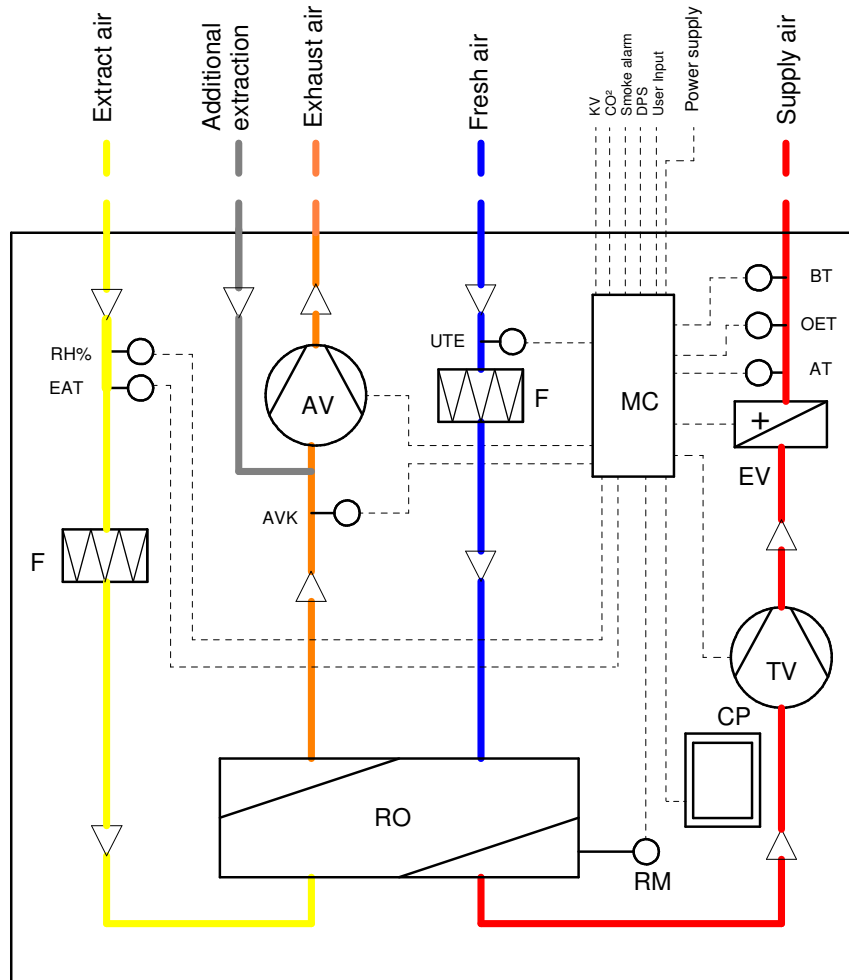



- AT** = Operation temperature sensor
- EAT** = Extract air sensor
- UTE** = Fresh air sensor/ Defrost sensor
- AVK** = Rotor guard sensor
- RH%** = Humidity sensor
- MC** = Control box
- CP** = Control panel
- TV** = Supply fan
- AV** = Extract fan
- EV** = Reheater battery
- BT** = Fire thermostat
- OET** = Overheat temperature sensor
- RM** = Rotor motor
- RO** = Rotary heat exchanger
- KV** = Cookerhood
- F** = Filter
- CO<sup>2</sup> Sensor** - Optional
- Smoke alarm** - Optional
- DPS (Drop Pressure Sensor)** - Optional
- User Input** - Optional



|   |                             |            |  |                    |  |
|---|-----------------------------|------------|--|--------------------|--|
|  |                             | Material:  |  | Art. no.:0200521-2 |  |
|   |                             | Dim.:      |  | Tolerance:         |  |
| Date  |                             | Name       |  | Systemskjema Ensy  |  |
| Drawn   | 17.06.2020                  | A.Lucacean |  | InoVent AHU-400 BH |  |
| Checked   |                             |            |  | Drawing number     |  |
|   |                             |            |  | InoVent AHU-400 BH |  |
|   |                             |            |  | Page               |  |
|   |                             |            |  | 1 · 1              |  |
| Scale   | 1:1                         | A3         |  |                    |  |
| Filename  | Ensy InoVent AHU-400 BH.dwg |            |  |                    |  |